

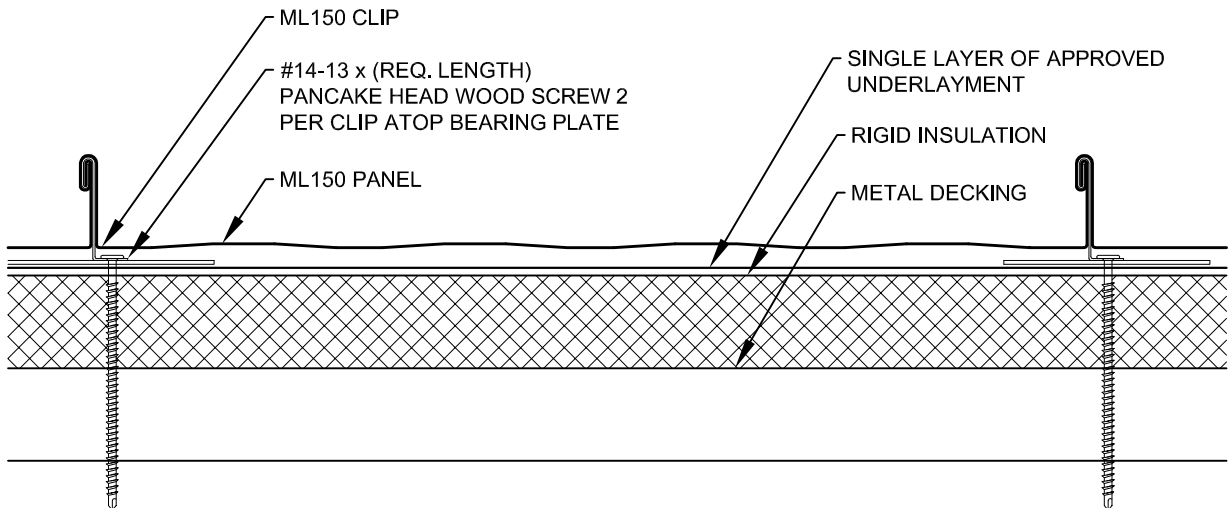


ML150 Standing Seam

Rigid Insulation Over Metal Deck Master Details

Architectural / Solid Substrate / Steep Slope

The following details are commonly used over steep sloped applications including those over solid substrates such as plywood or steel decking with rigid insulation. Such details are largely based on hydrokinetic (water shedding) design principles and architectural detailing.



FAYETTEVILLE, NC
888-685-7663

SPENCER, NC
800-526-8156

ANDERSON, SC
800-544-5169

TIFTON, GA
800-962-9131

ORANGE, VA
800-762-6785

OCALA, FL
800-331-3584

VICKSBURG, MS
888-661-0577

TIPP CITY, OH
877-615-9812

OKLAHOMA CITY, OK
866-373-5286

SCRANTON, PA
866-695-6455



ML150 Standing Seam -Rigid Insulation Over Metal Deck-

Index

<u>Panel Information</u>	<u>Detail No.</u>
Panel Application	0.10
System Overview - Panel Profiles.....	0.20
System Overview - Clips	0.21
Thermal Gap Installation Chart - Steel.....	0.30
Thermal Gap Installation Chart - Aluminum.....	0.31

<u>Eave Details</u>	<u>Detail No.</u>
Extended Eave	1.10
Extended Eave - Steep Slope	1.10A
Extended Eave with Gutter	1.20
Extended Eave with Gutter - Steep Slope	1.20A
Extended Eave with Soffit	1.30
Extended Eave with Soffit & Gutter	1.40
Extended Eave with Vertical Flush Panel	1.50
Extended Eave with Vertical Standing Seam Panel	1.60
Extended Eave Lap Detail	1.90

<u>Gable Details</u>	<u>Detail No.</u>
Gable - Extended Drip	2.10
Gable - Box	2.20
Gable - Box with Zee Closure	2.30
Box Gable Lap Detail	2.90

<u>Valley Details</u>	<u>Detail No.</u>
Valley - Integral Cleat	3.10
Valley - Offset Cleat	3.20
Valley Lap Detail	3.90

<u>Ridge & Hip Details</u>	<u>Detail No.</u>
Standard Ridge & Hip	4.10
Ridge Termination at Valley	4.40
Ridge & Hip Lap Detail	4.90
Ridge Cap Expansion Detail	4.91

<u>Peak Details</u>	<u>Detail No.</u>
Peak Detail	5.10
Peak Detail with Vertical Flush Panel	5.40

(Continued...)



ML150 Standing Seam -Rigid Insulation Over Metal Deck-

Index

High Wall & Low Wall Details **Detail No.**

High Wall - Reglet	6.10
High Wall - Surface Mount	6.12
High Wall - Vertical Panel with Sill	6.14
High Wall - Parapet	6.20
Valley Wall Detail	6.30
High Wall Lap Detail	6.90

Sidewall Details **Detail No.**

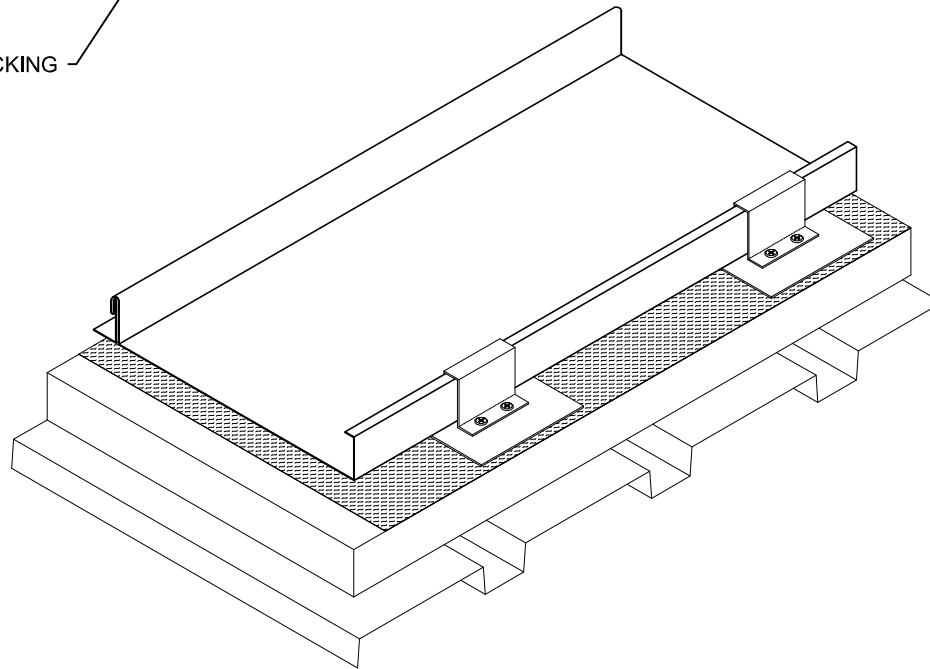
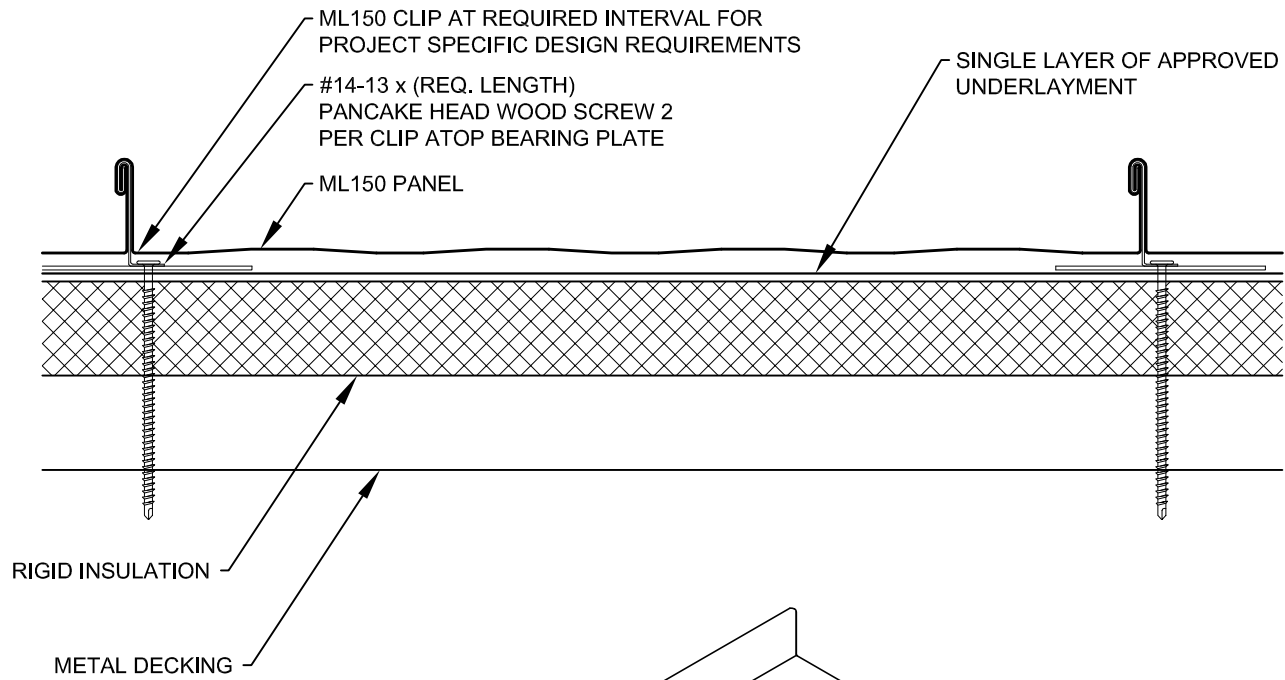
Sidewall - Reglet with Subflashing Angle	7.11
Sidewall - Surface Mount with Subflashing Angle	7.12
Sidewall - Wood Framing & Siding with Subflashing Angle	7.13
Sidewall - Reglet with J-Channel Subflashing	7.21
Sidewall - Surface Mount with J-Channel Subflashing	7.22
Sidewall - Wood Framing & Siding with J-Channel Subflashing	7.23
Sidewall - Reglet with Zee Closure	7.31
Sidewall - Surface Mount with Zee Closure	7.32
Sidewall - Wood Framing & Siding with Zee Closure	7.33
Sidewall Expansion Joint	7.40
Expansion Joint Mid-Roof.....	7.50
Sidewall Lap Detail	7.90

Slope Transition Details **Detail No.**

Slope Transition	8.10
Transition at Membrane Roofing	8.20

General Information Details **Detail No.**

Panel Hemming	10.10
End Lap Detail - Low Slope	10.14
End Lap Detail - Steep Slope	10.15
Zee Closure Installation	10.20
Pipe Penetration	10.30
Pipe Penetration Through Panel Rib	10.31
Curb at High Wall & Low Wall	10.40
Curb at Sidewall	10.41
Curb Installation Detail	CRB 1-6



Description:

ML150 APPLICATION

Detail No.:

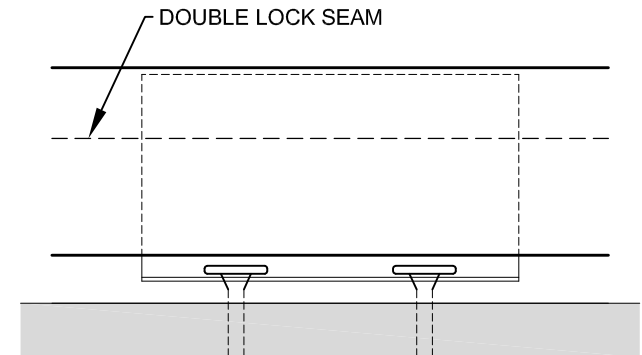
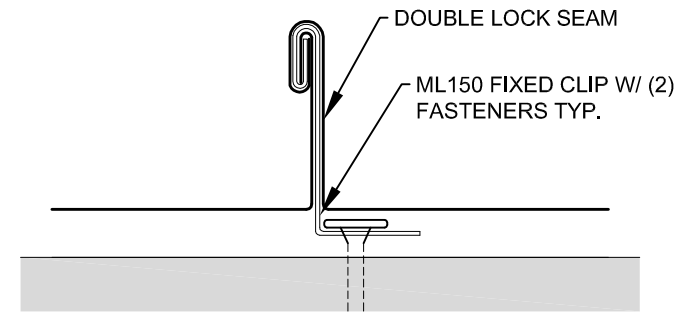
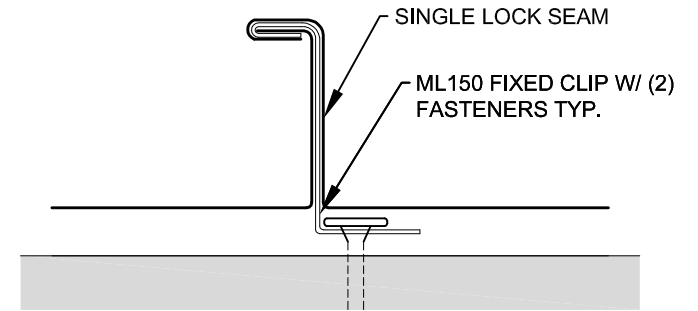
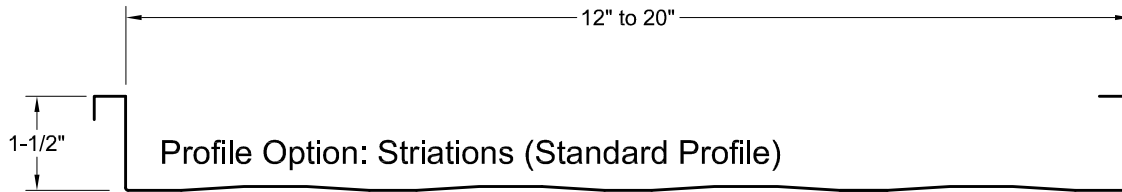
ML150-MD-0.10

Substrate:

RIGID INSULATION OVER METAL DECK

Project Name:

Location:



Description: MLI50 SYSTEM OVERVIEW - PANEL PROFILES

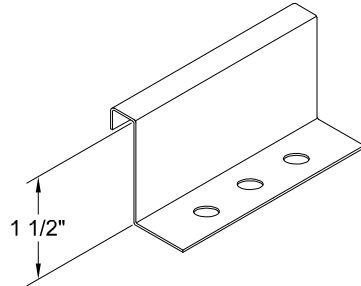
Detail No.: ML150-0.20

Substrate:

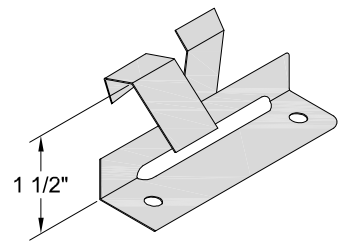
Project Name:

Location:

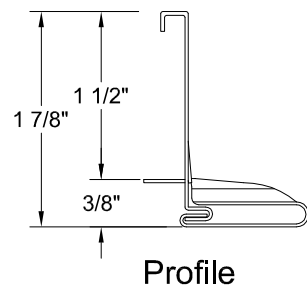
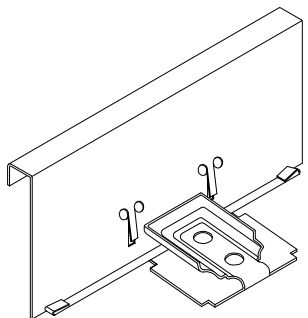
IMPORTANT INSTALLATION NOTE
 EXPANSION CLIPS ARE RECOMMENDED
 FOR PANEL LENGTHS GREATER THAN 30'-0".



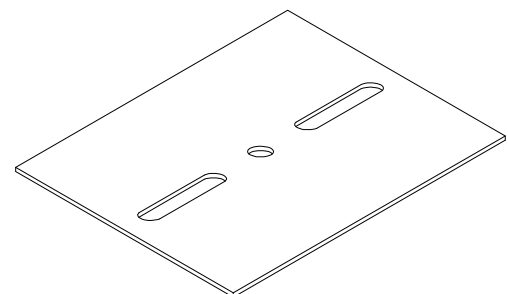
Clip 30 Fixed
 26 Ga. Galvanized
 1.5" x 3"



Clip 31 Butterfly Expansion
 28 Ga. Stainless Steel
 1.5" x 3"
Recommended for use with aluminum panels



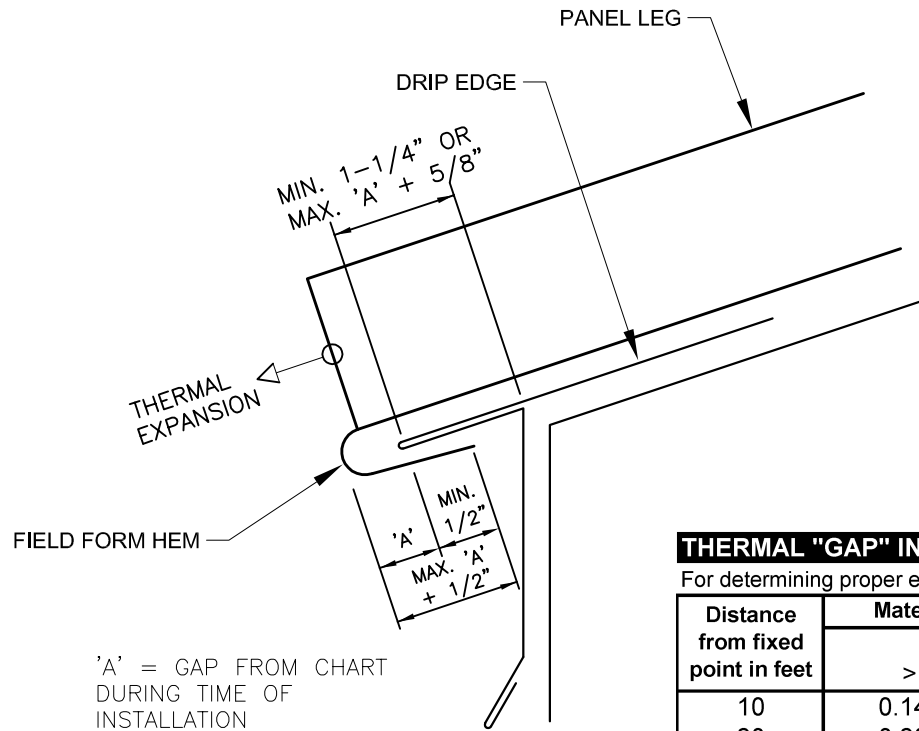
Clip 32 Expansion
 22 Ga. Galvanized
 1.875" x 4.25" (0.375" Standoff)



4" X 5" Bearing Plate
 16 Ga. Galvanized
*Required for use when clips are applied
 directly over rigid board insulation*



Description:	MLI50 SYSTEM OVERVIEW - CLIPS		Detail No.:
			ML150-0.21
Substrate:	Project Name:		Location:



THERMAL "GAP" INSTALLATION CHART (In inches) - STEEL

For determining proper expansion/contraction gap at panel ends during installation

Distance from fixed point in feet	Material Temperature (Surface Temperature) During Installation					
	Hot >100° F		Warm 100° to 50° F		Cold <50° F	
10	0.145	1/8	0.072	1/16	0.000	0
20	0.289	5/16	0.145	1/8	0.000	0
30	0.434	7/16	0.217	3/16	0.125	1/8
40	0.579	9/16	0.289	5/16	0.125	1/8
50	0.724	3/4	0.362	3/8	0.188	3/16
60	0.868	7/8	0.434	7/16	0.188	3/16
70	1.013	1	0.507	1/2	0.250	1/4
80	1.158	1 3/16	0.579	9/16	0.250	1/4
90	1.302	1 5/16	0.651	5/8	0.375	3/8
100	1.447	1 7/16	0.724	3/4	0.375	3/8

* Chart based on temperature differential of: 180 degrees F

* Coefficient of thermal expansion for steel: 0.0000067

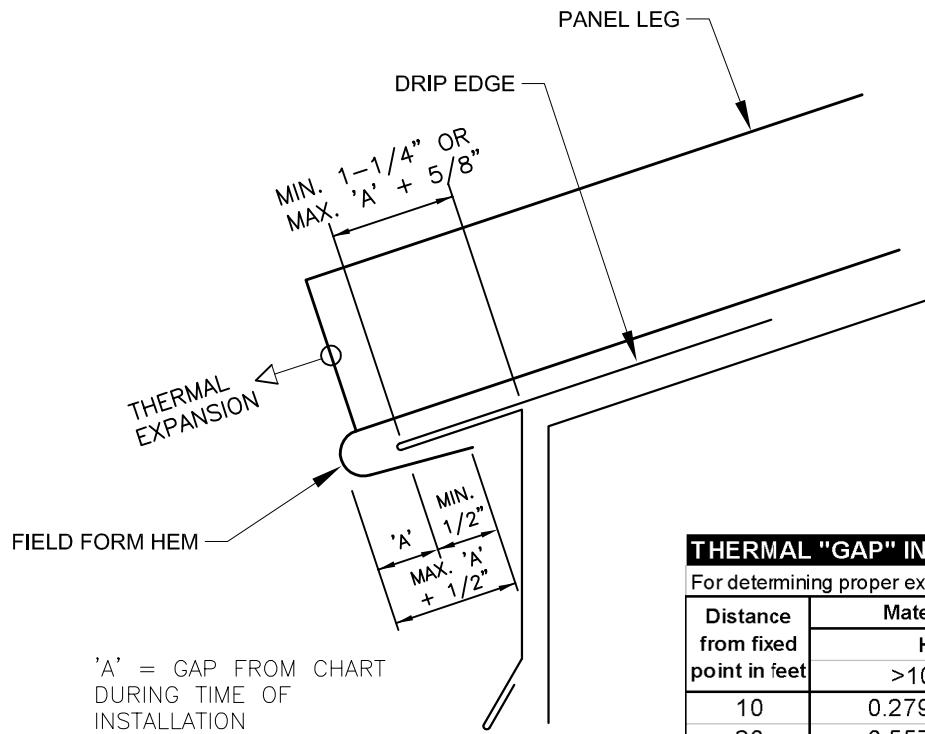


Description: **THERMAL GAP INSTALLATION CHART - STEEL**

Detail No.: **ML150-0.30**

Substrate:

Project Name:
Location:



THERMAL "GAP" INSTALLATION CHART (In inches) - ALUMINUM

For determining proper expansion/contraction gap at panel ends during installation

Distance from fixed point in feet	Material Temperature (Surface Temperature) During Installation					
	Hot		Warm		Cold	
	>100° F		100° to 50° F		<50° F	
10	0.279	1/4	0.139	1/8	0.000	0
20	0.557	9/16	0.279	1/4	0.000	0
30	0.836	13/16	0.418	7/16	0.125	1/8
40	1.115	1 1/8	0.557	9/16	0.125	1/8
50	1.393	1 3/8	0.697	11/16	0.188	3/16
60	1.672	1 11/16	0.836	13/16	0.188	3/16
70	1.950	1 15/16	0.975	1	0.250	1/4
80	2.229	2 1/4	1.115	1 1/8	0.250	1/4
90	2.508	2 1/2	1.254	1 1/4	0.375	3/8
100	2.786	2 13/16	1.393	1 3/8	0.375	3/8

* Chart based on temperature differential of: 180 degrees F

* Coefficient of thermal expansion for alum.: 0.0000129



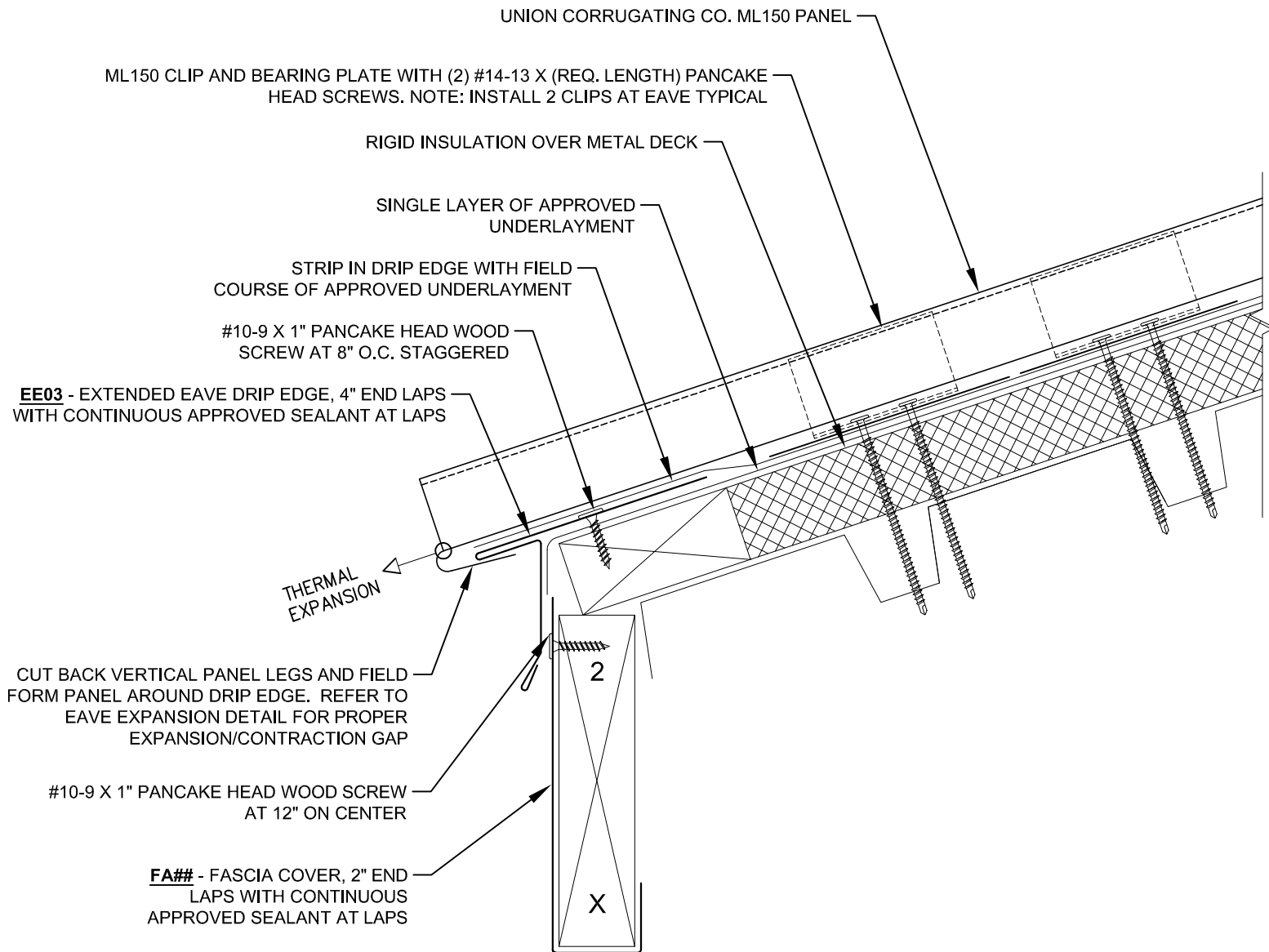
Description: **THERMAL GAP INSTALLATION CHART - ALUMINUM**

Detail No.: **ML150-0.31**

Substrate:

Project Name:

Location:



Description:

EXTENDED EAVE

Detail No.:

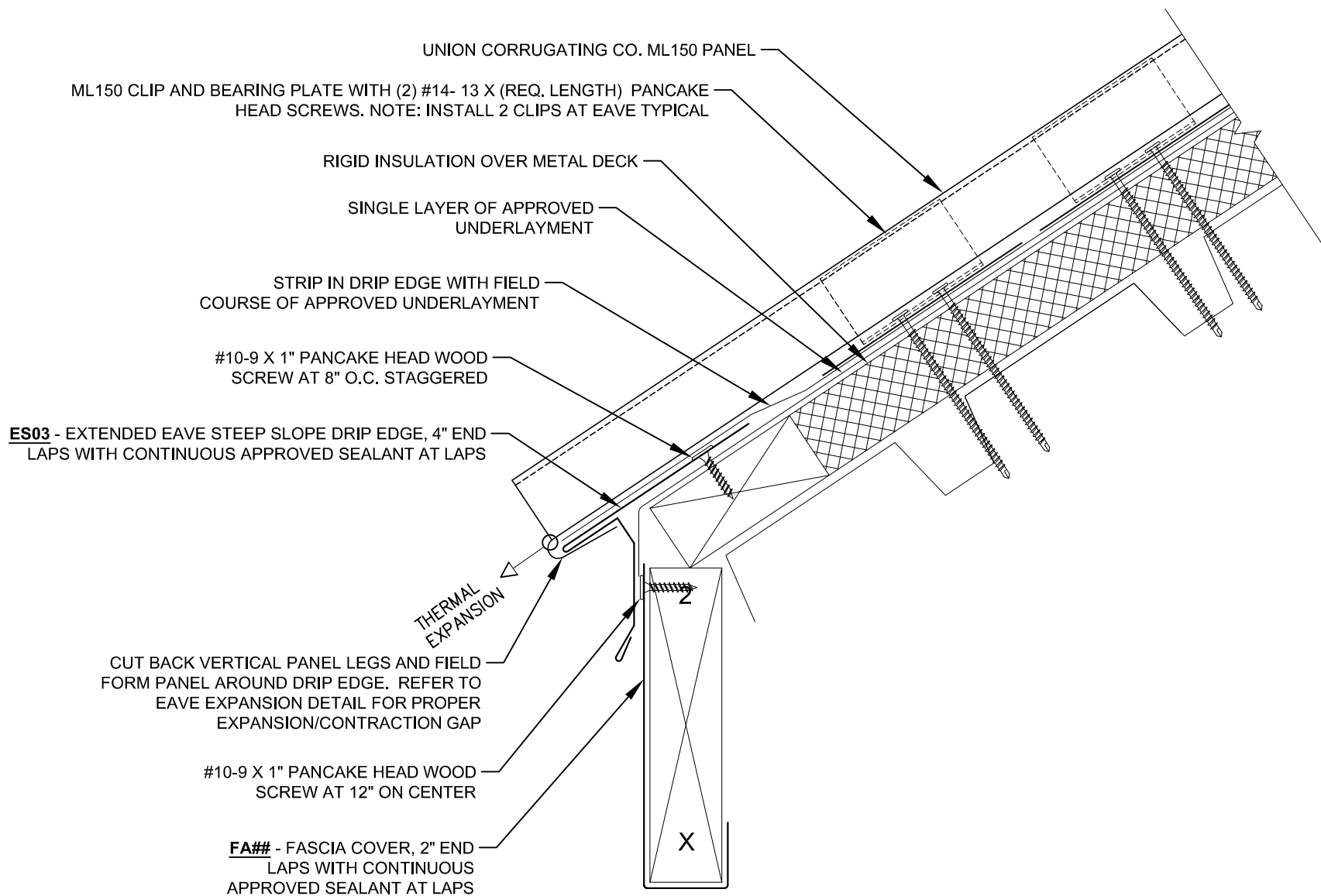
ML150-MD-1.10

Substrate:

RIGID INSULATION OVER METAL DECK

Project Name:

Location:



Description:

EXTENDED EAVE - STEEP SLOPE

Detail No.:

ML150-MD-1.10A

Substrate:

RIGID INSULATION OVER METAL DECK

Project Name:

Location:

UNION CORRUGATING CO. ML150 PANEL

ML150 CLIP AND BEARING PLATE WITH (2) #14-13 X (REQ. LENGTH) PANCAKE HEAD SCREWS. NOTE: INSTALL 2 CLIPS AT EAVE TYPICAL

RIGID INSULATION OVER METAL DECK

SINGLE LAYER OF APPROVED UNDERLAYMENT

STRIP IN DRIP EDGE WITH FIELD COURSE OF APPROVED UNDERLAYMENT

#10-9 X 1" PANCAKE HEAD WOOD SCREW AT 8" O.C. STAGGERED

EE02 - EXTENDED EAVE DRIP EDGE, 4" END LAPS WITH CONTINUOUS APPROVED SEALANT AT LAPS

CUT BACK VERTICAL PANEL LEGS AND FIELD FORM PANEL AROUND DRIP EDGE. REFER TO EAVE EXPANSION DETAIL FOR PROPER EXPANSION/CONTRACTION GAP

THERMAL EXPANSION

18 GA. GALVANIZED STEEL HIDDEN HANGER AT 24" ON CENTER

GT07 - 7" GUTTER, LAP AND SEAL CONTINUOUS WITH 2 ROWS OF APPROVED SEALANT. RIVET AT LAPS 2" ON CENTER.

FA## - FASCIA COVER, 2" END LAPS WITH CONTINUOUS APPROVED SEALANT AT LAPS



Description:

EXTENDED EAVE WITH GUTTER

Detail No.:

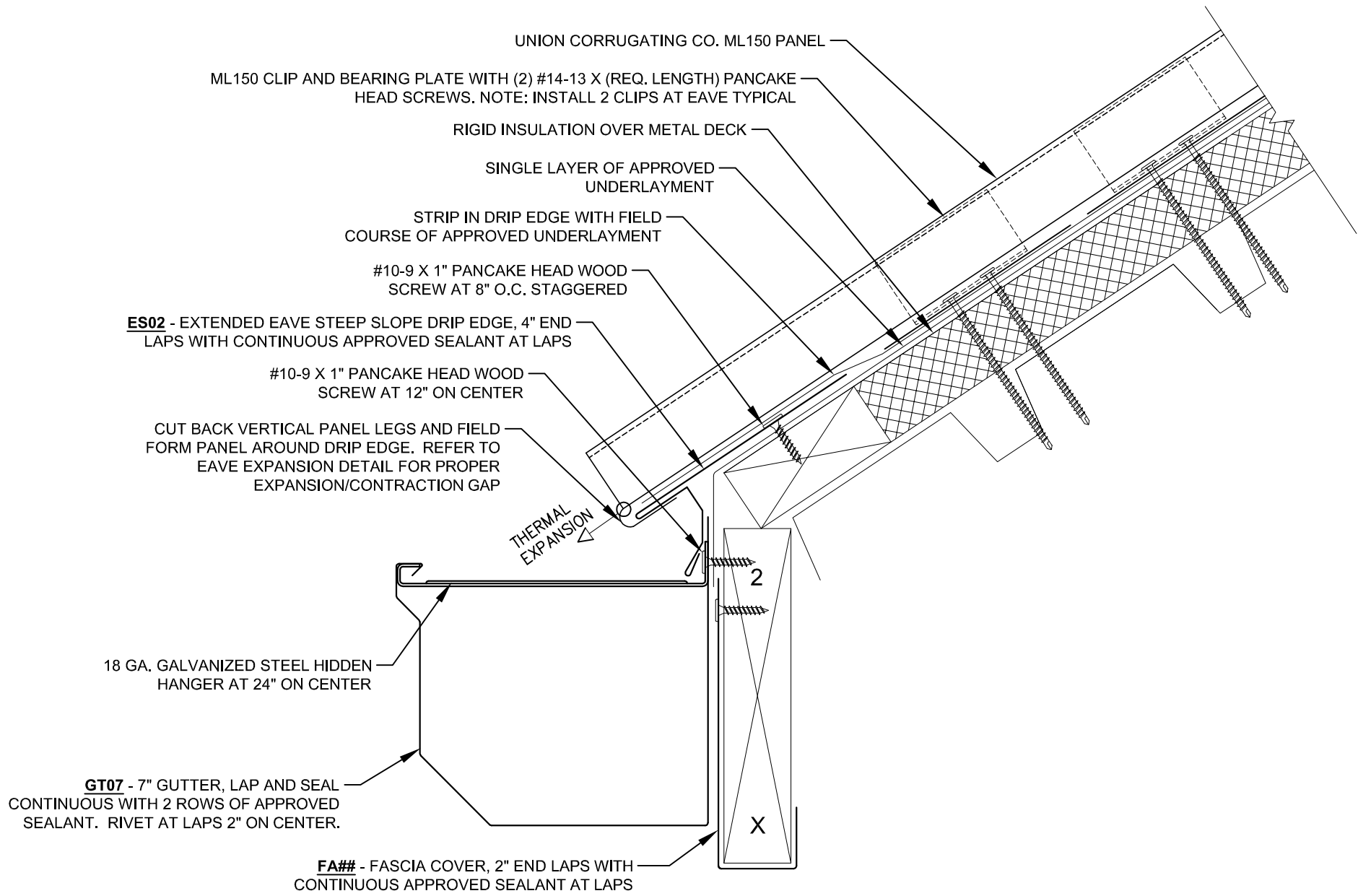
ML150-MD-1.20

Substrate:

RIGID INSULATION OVER METAL DECK

Project Name:

Location:



UNION CORRUGATING CO. ML150 PANEL

ML150 CLIP AND BEARING PLATE WITH (2) #14-13 X (REQ. LENGTH) PANCAKE HEAD SCREWS. NOTE: INSTALL 2 CLIPS AT EAVE TYPICAL

RIGID INSULATION OVER METAL DECK

SINGLE LAYER OF APPROVED UNDERLAYMENT

STRIP IN DRIP EDGE WITH FIELD COURSE OF APPROVED UNDERLAYMENT

#10-9 X 1" PANCAKE HEAD WOOD SCREW AT 8" O.C. STAGGERED

ES02 - EXTENDED EAVE STEEP SLOPE DRIP EDGE, 4" END LAPS WITH CONTINUOUS APPROVED SEALANT AT LAPS

#10-9 X 1" PANCAKE HEAD WOOD SCREW AT 12" ON CENTER

CUT BACK VERTICAL PANEL LEGS AND FIELD FORM PANEL AROUND DRIP EDGE. REFER TO EAVE EXPANSION DETAIL FOR PROPER EXPANSION/CONTRACTION GAP

THERMAL EXPANSION

18 GA. GALVANIZED STEEL HIDDEN HANGER AT 24" ON CENTER

GT07 - 7" GUTTER, LAP AND SEAL CONTINUOUS WITH 2 ROWS OF APPROVED SEALANT. RIVET AT LAPS 2" ON CENTER.

FA## - FASCIA COVER, 2" END LAPS WITH CONTINUOUS APPROVED SEALANT AT LAPS

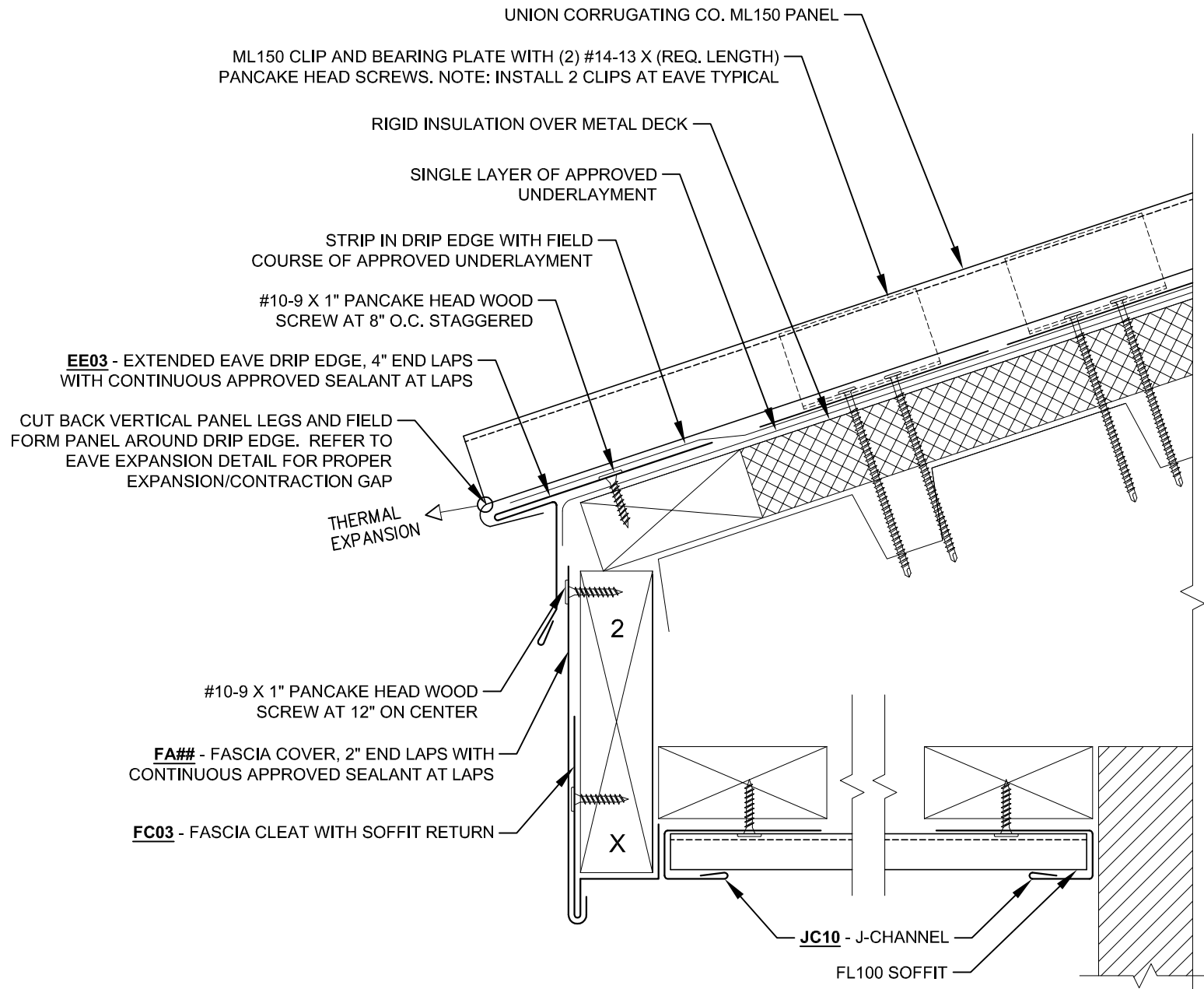


Description: **EXTENDED EAVE W/ GUTTER- STEEP SLOPE**

Detail No.: **ML150-MD-1.20A**

Substrate: **RIGID INSULATION OVER METAL DECK**

Project Name:
Location:



Description:

EXTENDED EAVE WITH SOFFIT

Detail No.:

ML150-MD-1.30

Substrate:

RIGID INSULATION OVER METAL DECK

Project Name:

Location:

UNION CORRUGATING CO. ML150 PANEL

ML150 CLIP AND BEARING PLATE WITH (2) #14-13 X (REQ. LENGTH) PANCAKE HEAD SCREWS. NOTE: INSTALL 2 CLIPS AT EAVE TYPICAL

RIGID INSULATION OVER METAL DECK

SINGLE LAYER OF APPROVED UNDERLAYMENT

STRIP IN DRIP EDGE WITH FIELD COURSE OF APPROVED UNDERLAYMENT

#10-9 X 1" PANCAKE HEAD WOOD SCREW AT 8" O.C. STAGGERED

EE02 - EXTENDED EAVE DRIP EDGE, 4" END LAPS WITH CONTINUOUS APPROVED SEALANT AT LAPS

CUT BACK VERTICAL PANEL LEGS AND FIELD FORM PANEL AROUND DRIP EDGE. REFER TO EAVE EXPANSION DETAIL FOR PROPER EXPANSION/CONTRACTION GAP

THERMAL EXPANSION

18 GA. GALVANIZED STEEL HIDDEN HANGER AT 24" ON CENTER

GT07 - 7" GUTTER, LAP AND SEAL CONTINUOUS WITH 2 ROWS OF APPROVED SEALANT. RIVET AT LAPS 2" ON CENTER.

FA## - FASCIA COVER, 2" END LAPS WITH CONTINUOUS APPROVED SEALANT AT LAPS

FC03 - FASCIA CLEAT WITH SOFFIT RETURN

JC10 - J-CHANNEL

FL100 SOFFIT



Description:

EXTENDED EAVE WITH SOFFIT & GUTTER

Detail No.:

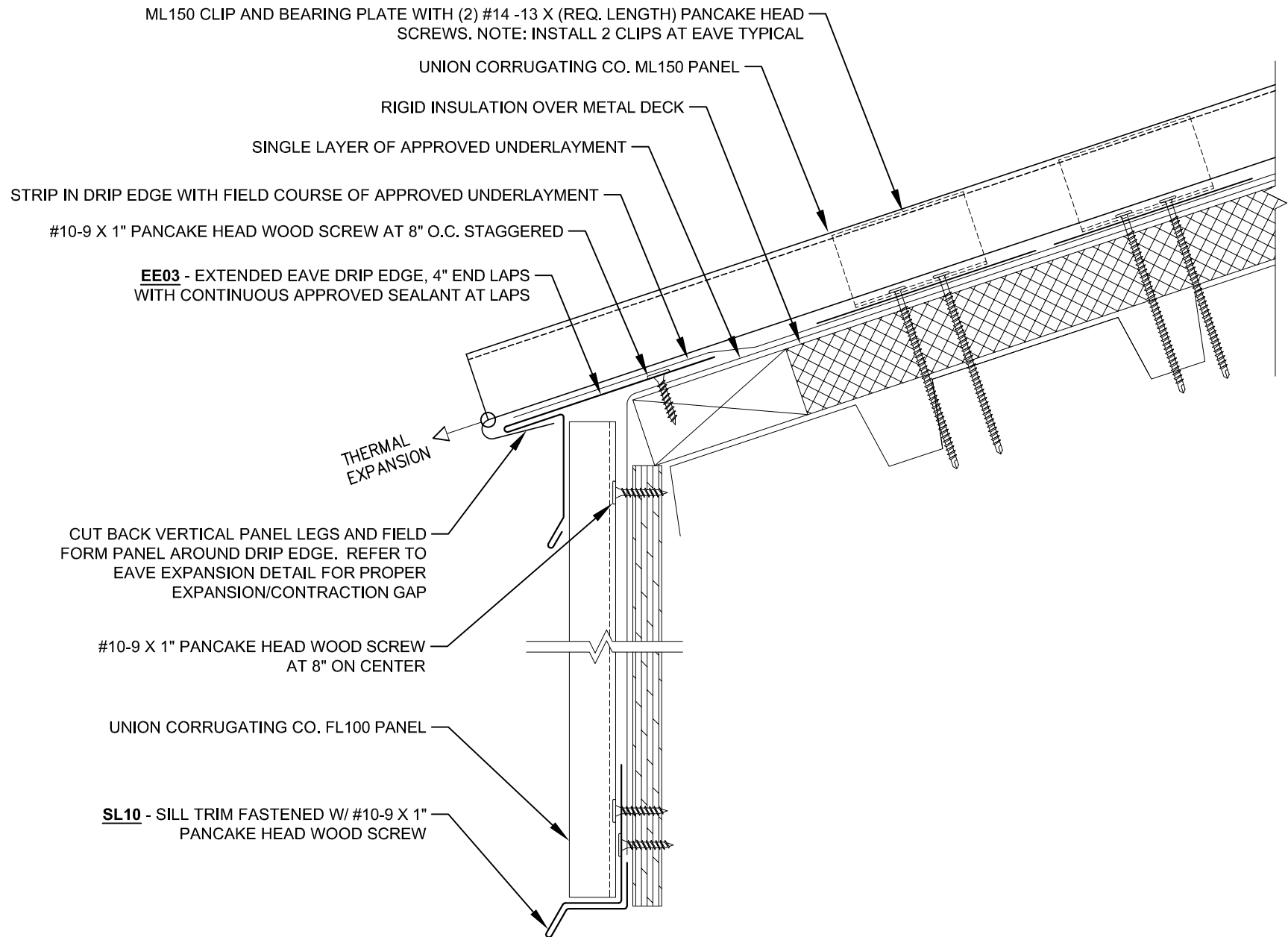
ML150-MD-1.40

Substrate:

RIGID INSULATION OVER METAL DECK

Project Name:

Location:

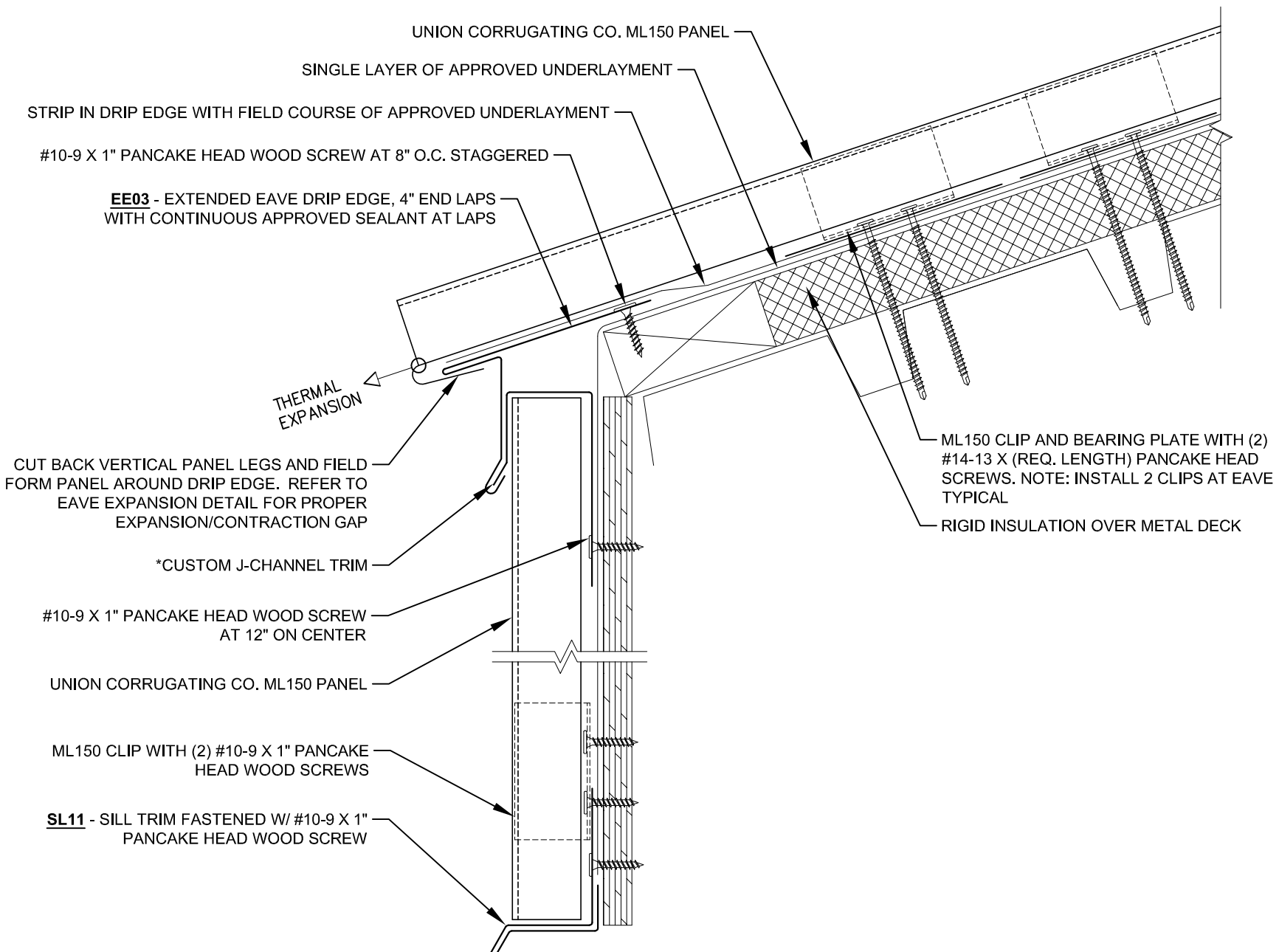


Description: **EXTENDED EAVE W/ VERTICAL FLUSH PANEL**

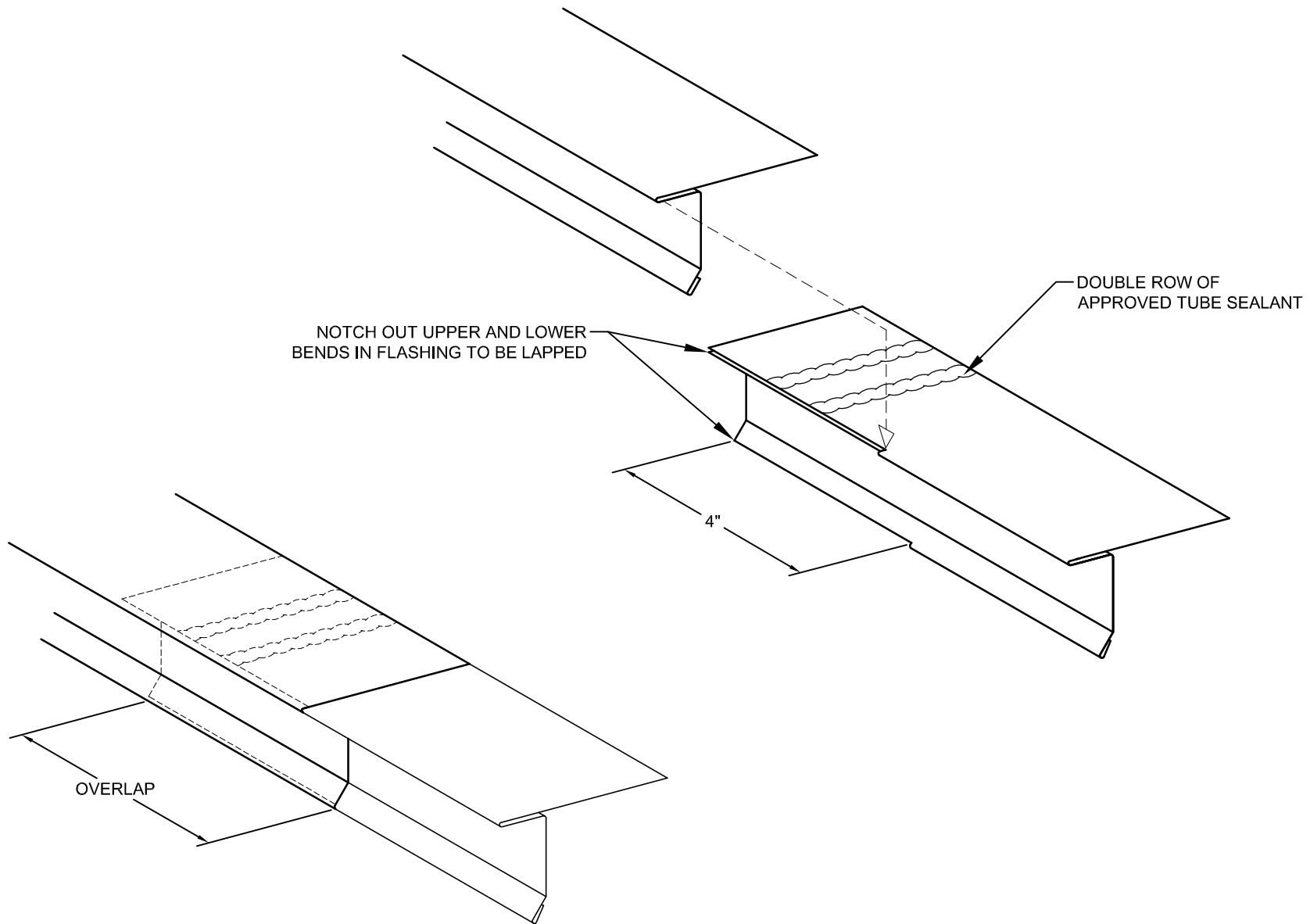
Detail No.: **ML150-MD-1.50**

Substrate: **RIGID INSULATION OVER METAL DECK**

Project Name:
Location:



Description:	EXT. EAVE W/ VERTICAL STANDING SEAM PANELS		Detail No.: ML150-MD-1.60
	Substrate:	RIGID INSULATION OVER METAL DECK	



Description:

DRIP EDGE LAP DETAIL

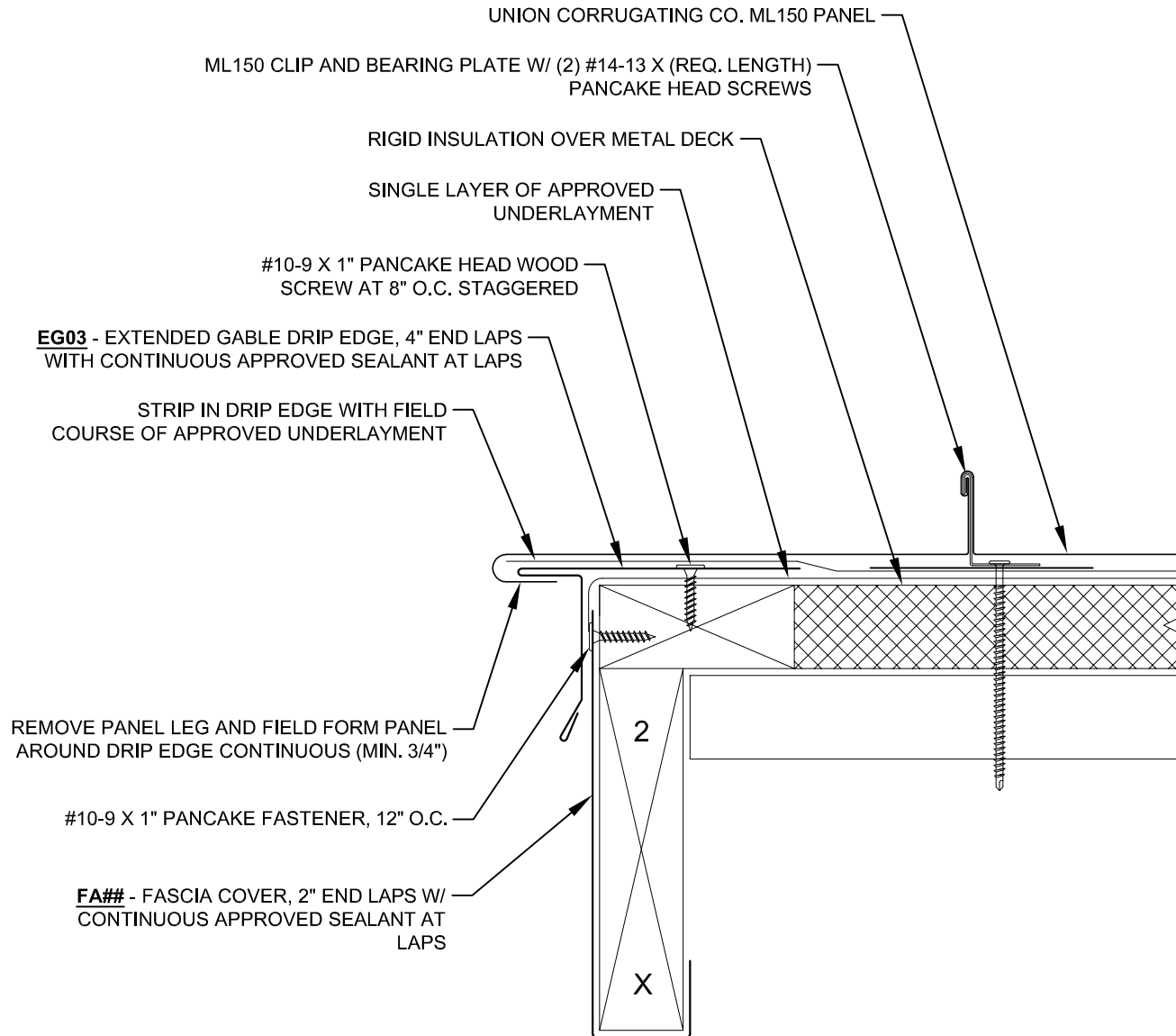
Detail No.:

ML150-1.90

Substrate:

Project Name:

Location:



Description:

GABLE DETAIL - EXTENDED DRIP STYLE

Detail No.:

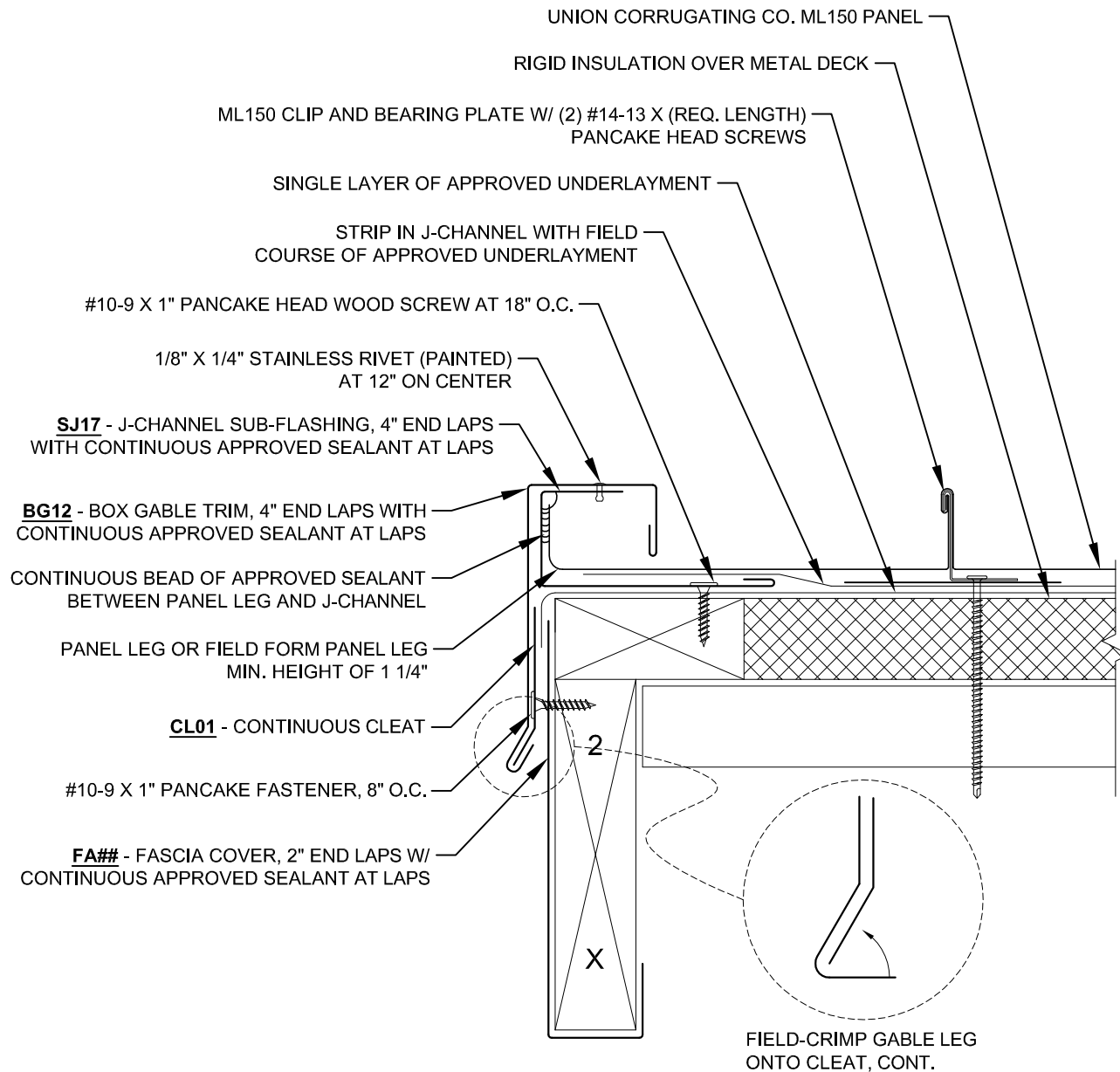
ML150-MD-2.10

Substrate:

RIGID INSULATION OVER METAL DECK

Project Name:

Location:



Description:

GABLE DETAIL - BOX STYLE

Detail No.:

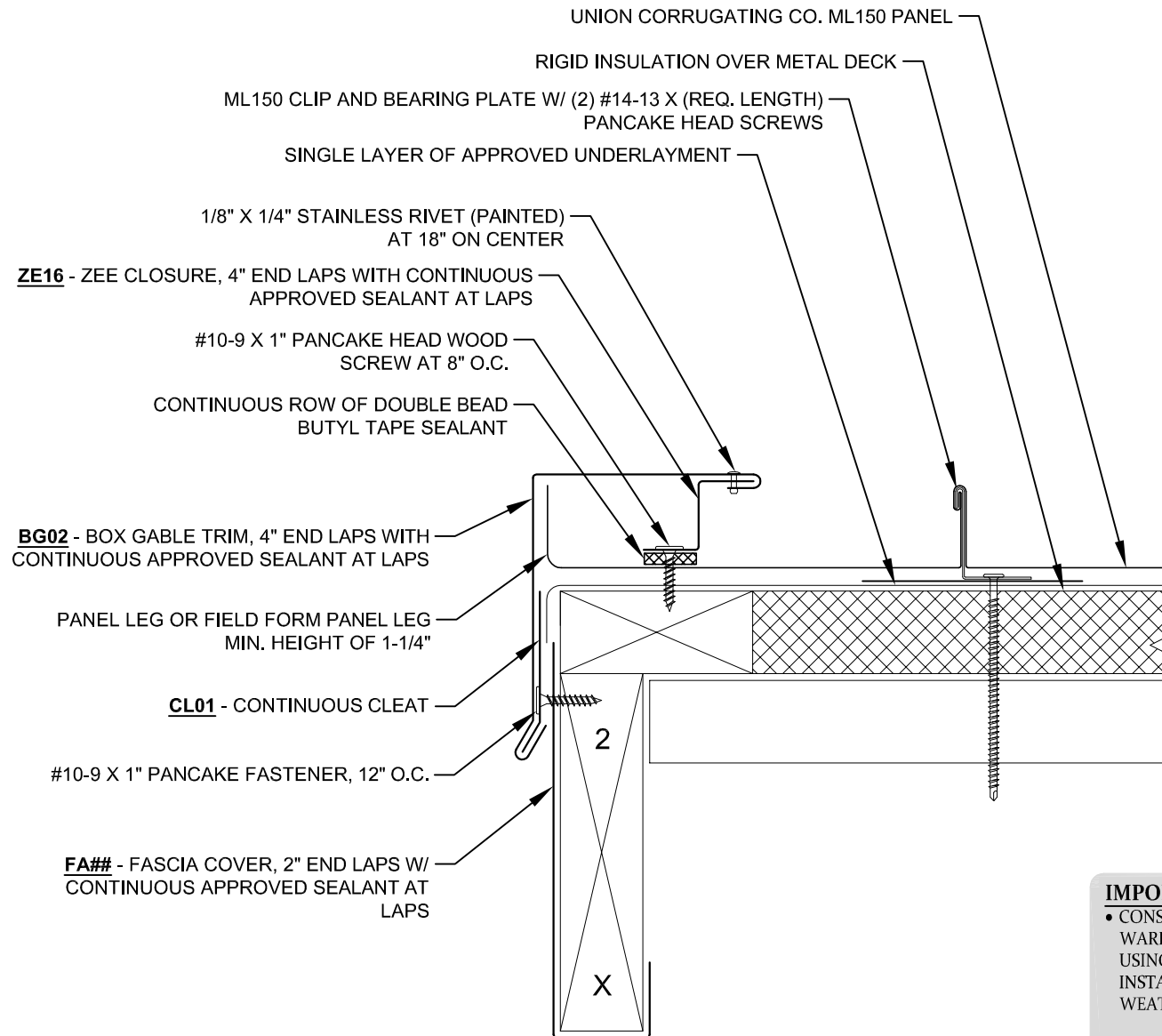
ML150-MD-2.20

Substrate:

RIGID INSULATION OVER METAL DECK

Project Name:

Location:



IMPORTANT INSTALLATION NOTE

- CONSULT UNION CORRUGATING CO. WARRANTY DEPARTMENT BEFORE USING THIS DETAIL WHEN INSTALLATION REQUIRES WEATHERTIGHTNESS WARRANTY.
- THIS DETAIL NOT TO BE USED WITH PANEL LENGTHS GREATER THAN 30'-0".



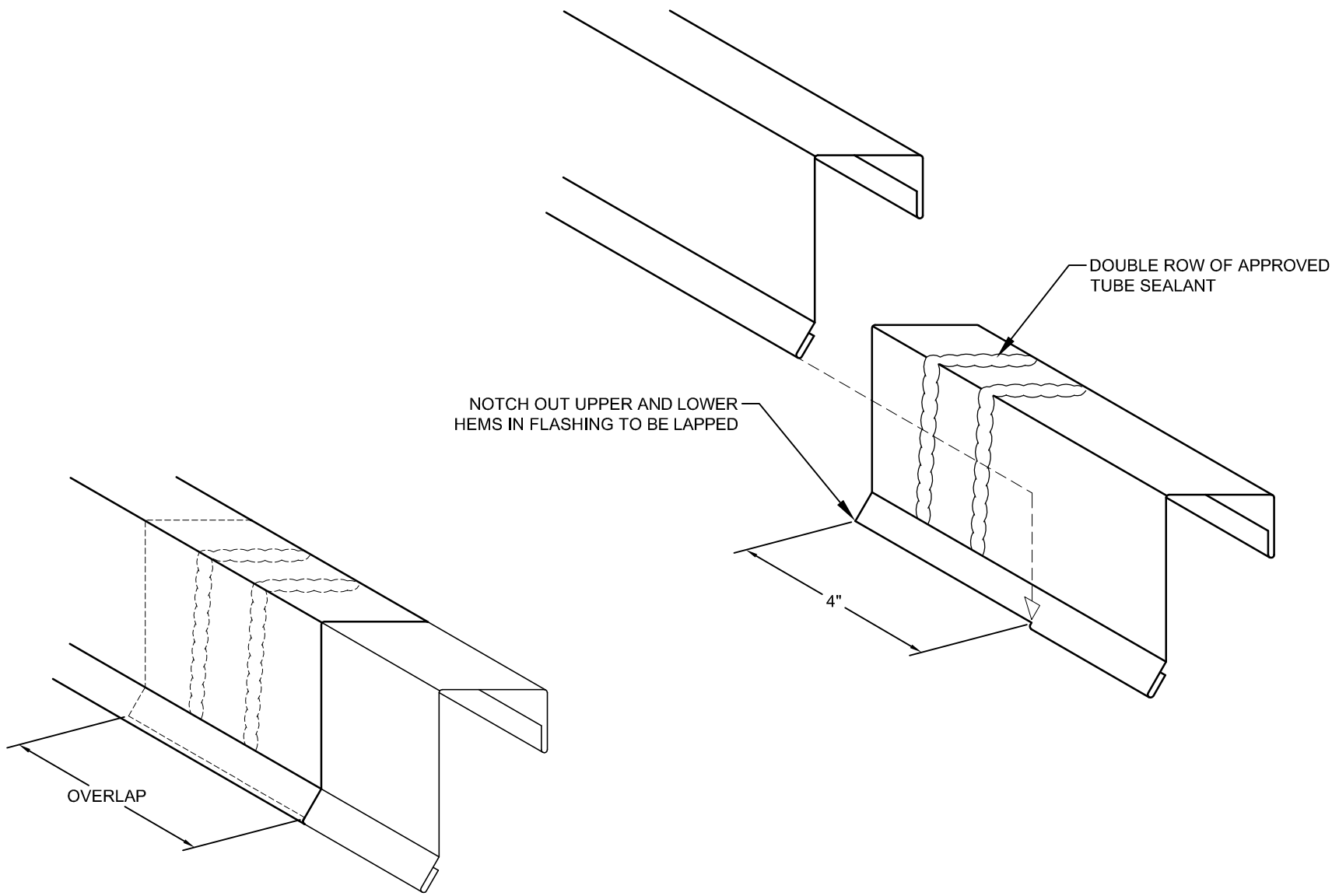
Description: **GABLE DETAIL - BOX STYLE W/ Z-CLOSURE**

Substrate: **RIGID INSULATION OVER METAL DECK**

Detail No.: **ML150-MD-2.30**

Project Name:

Location:



Description:

BOX GABLE LAP DETAIL

Detail No.:

ML150-2.90

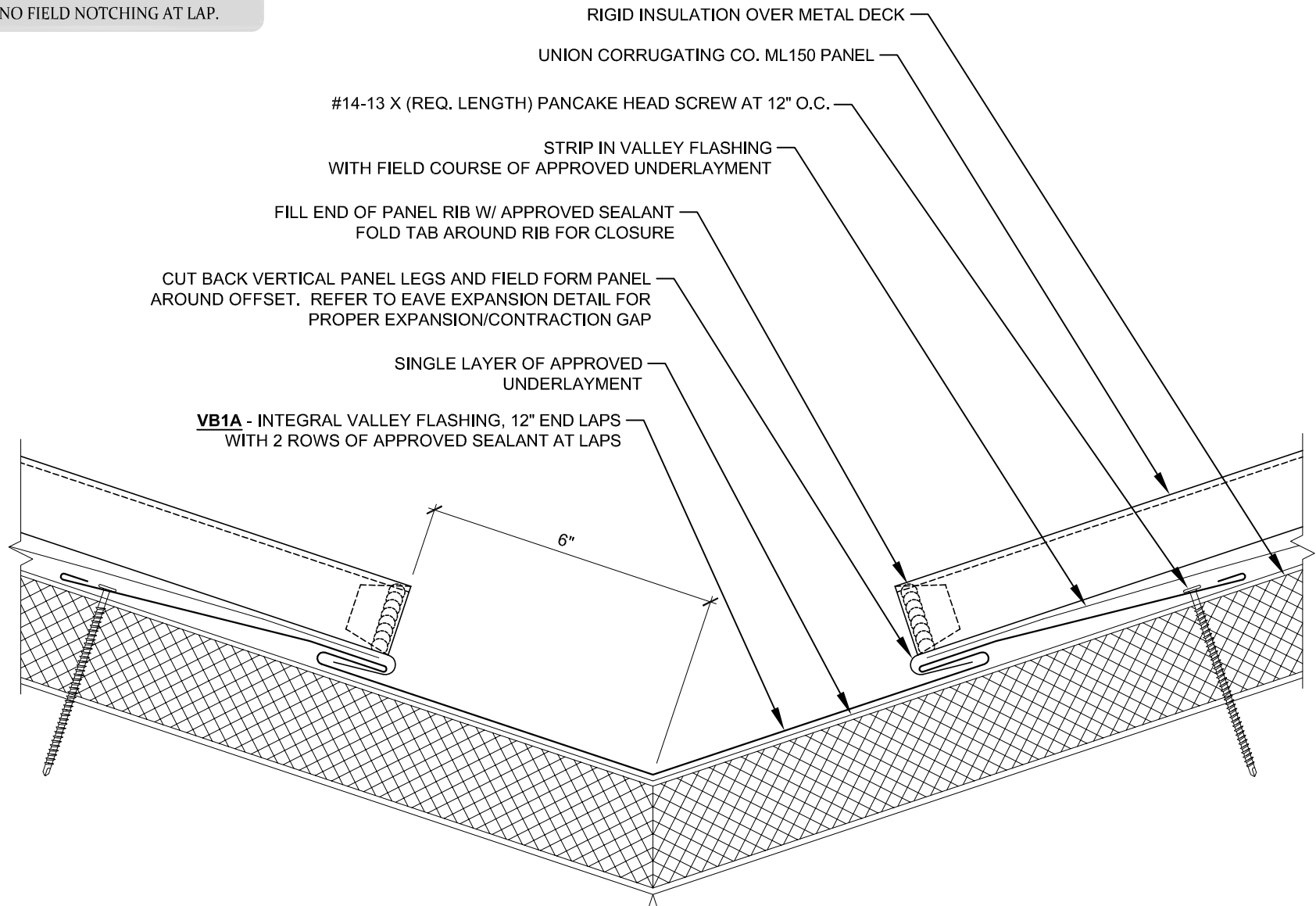
Substrate:

Project Name:

Location:

IMPORTANT INSTALLATION NOTE

EACH VALLEY SECTION IS MADE PROGRESSIVELY SMALLER TO ALLOW UPPER SECTION TO INSERT INTO LOWER SECTION. NO FIELD NOTCHING AT LAP.



Description:

VALLEY DETAIL - INTEGRAL CLEAT

Detail No.:

ML150-MD-3.10

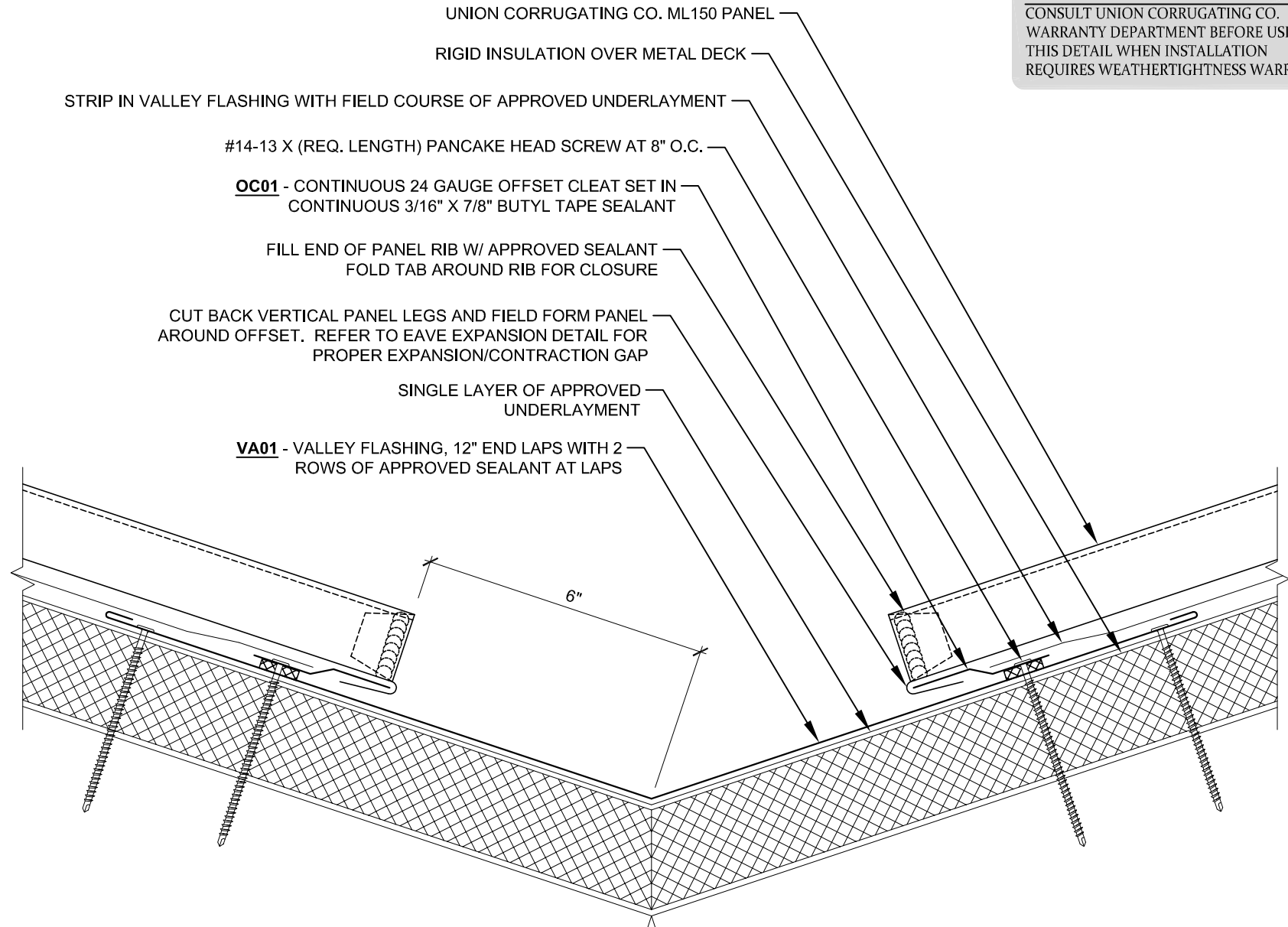
Substrate:

RIGID INSULATION OVER METAL DECK

Project Name:

Location:

IMPORTANT INSTALLATION NOTE
 CONSULT UNION CORRUGATING CO.
 WARRANTY DEPARTMENT BEFORE USING
 THIS DETAIL WHEN INSTALLATION
 REQUIRES WEATHERTIGHTNESS WARRANTY.



Description:

VALLEY - WITH OFFSET CLEAT

Detail No.:

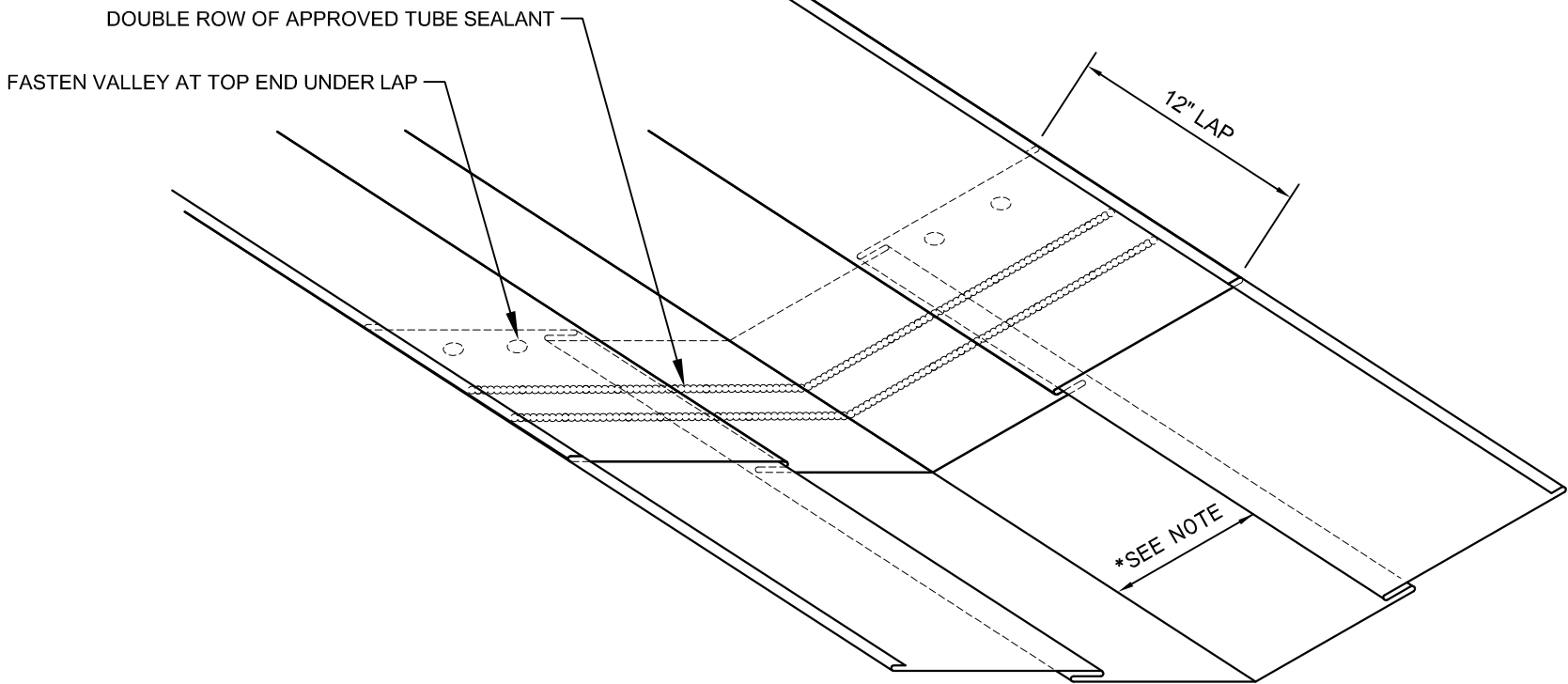
ML150-MD-3.20

Substrate:

RIGID INSULATION OVER METAL DECK

Project Name:

Location:

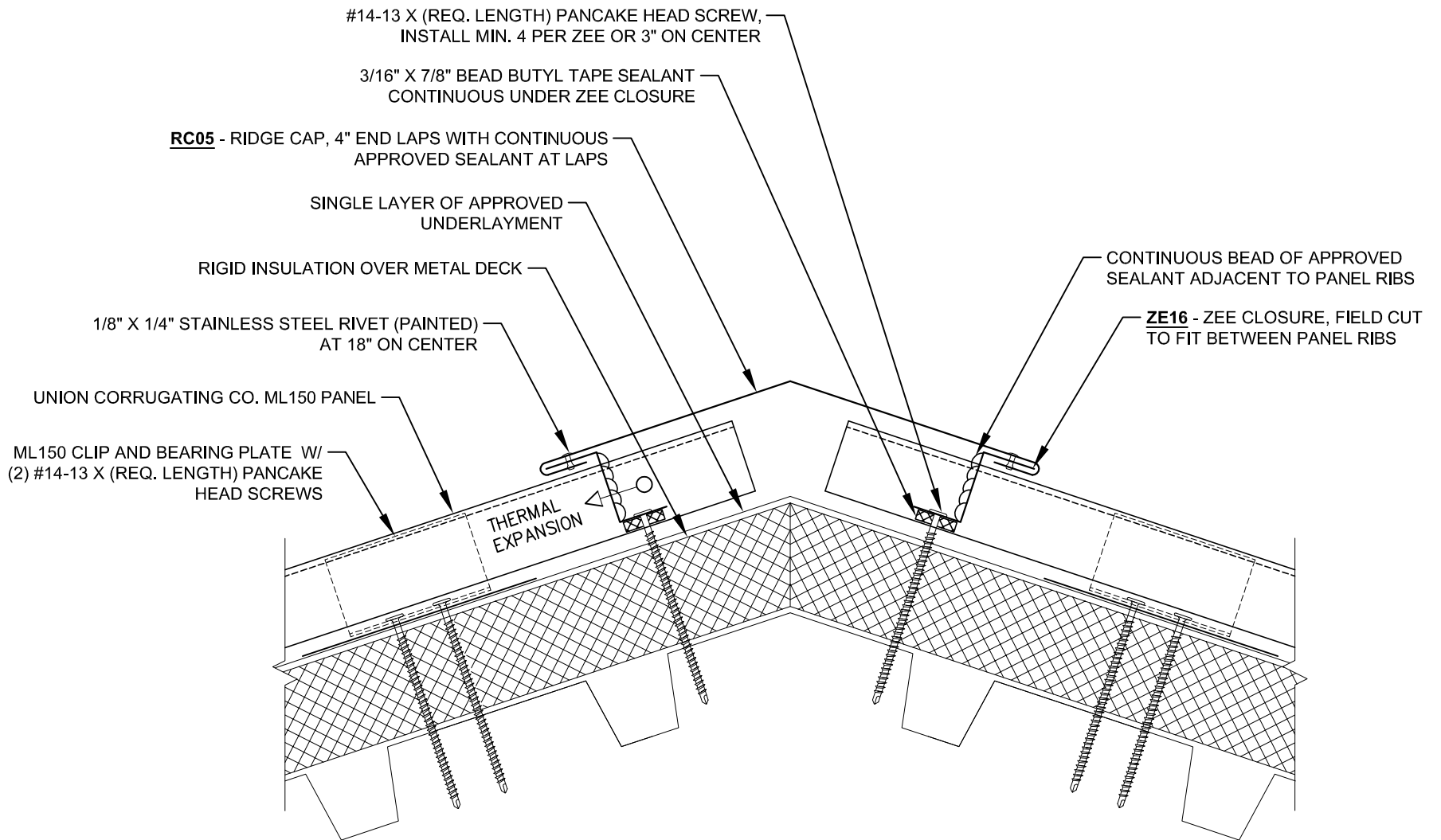


TELESCOPING VALLEY FLASHING LAP

IMPORTANT INSTALLATION NOTE
 EACH VALLEY SECTION IS MADE
 PROGRESSIVELY SMALLER TO ALLOW
 UPPER SECTION TO INSERT INTO LOWER
 SECTION. NO FIELD NOTCHING AT LAP.



Description:	VALLEY LAP DETAIL		Detail No.:	ML150-3.90
				Substrate:
				Location:



Description:

HIP AND RIDGE DETAIL

Detail No.:

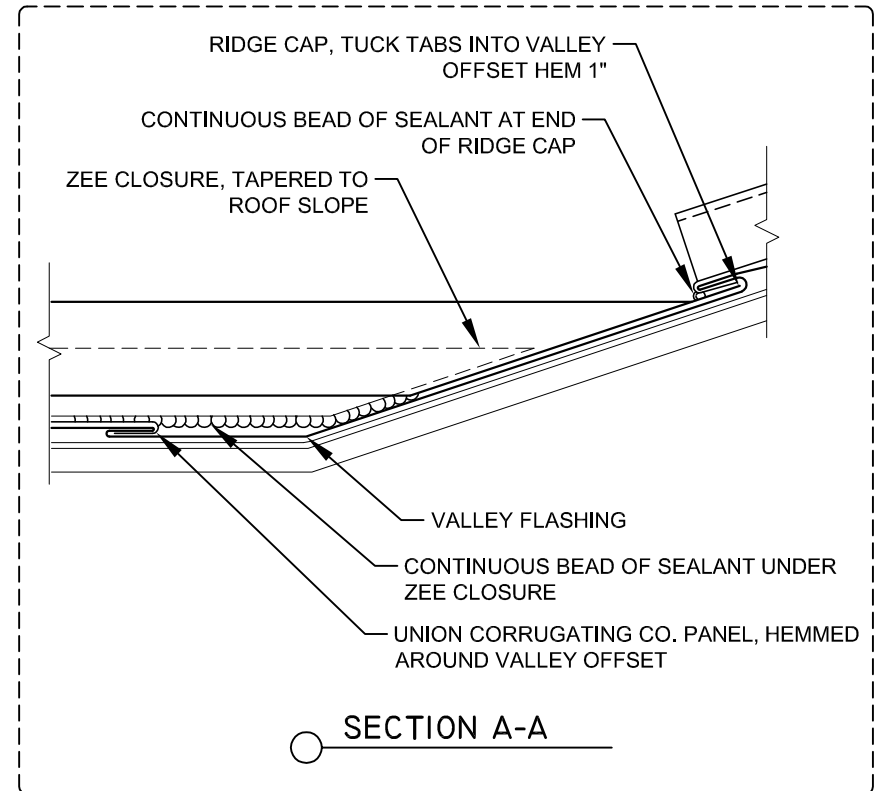
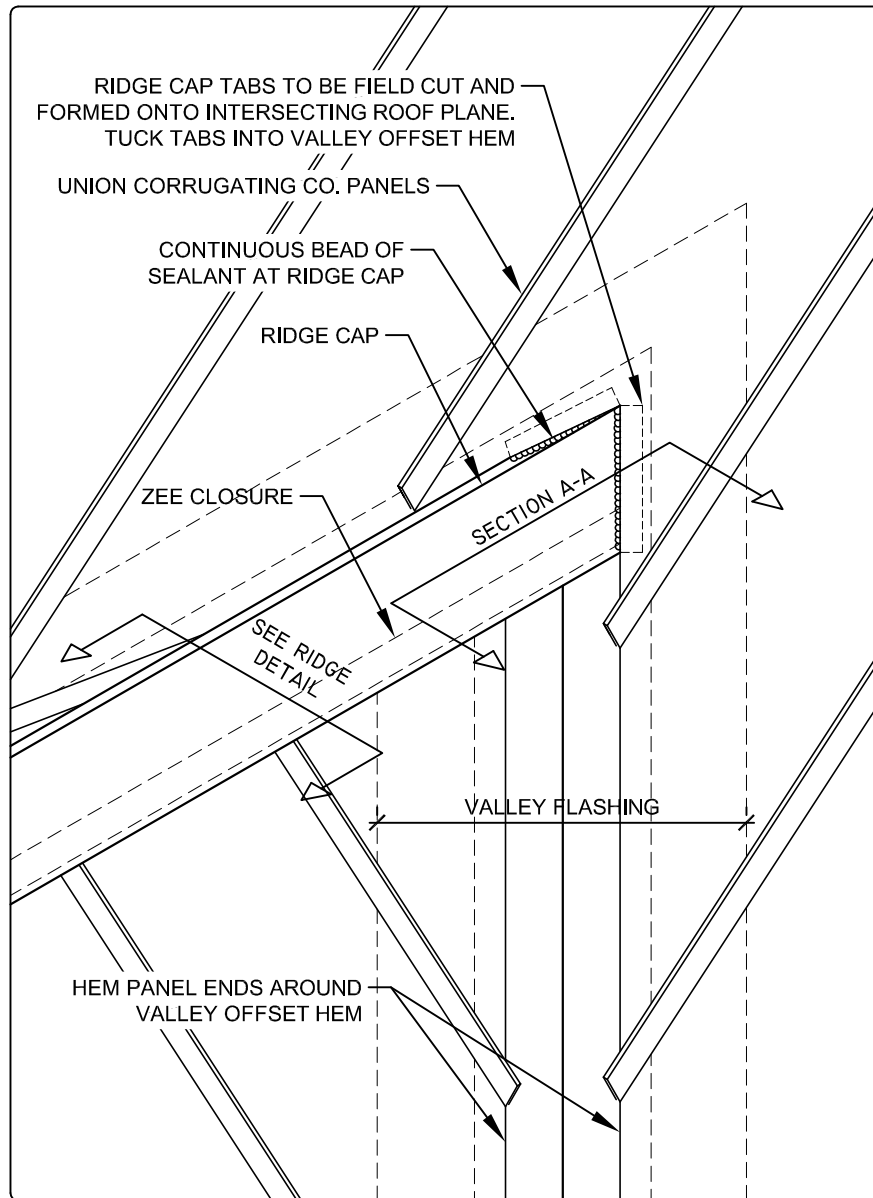
ML150-MD-4.10

Substrate:

RIGID INSULATION OVER METAL DECK

Project Name:

Location:



Description:

RIDGE TERMINATION @ VALLEY

Detail No.:

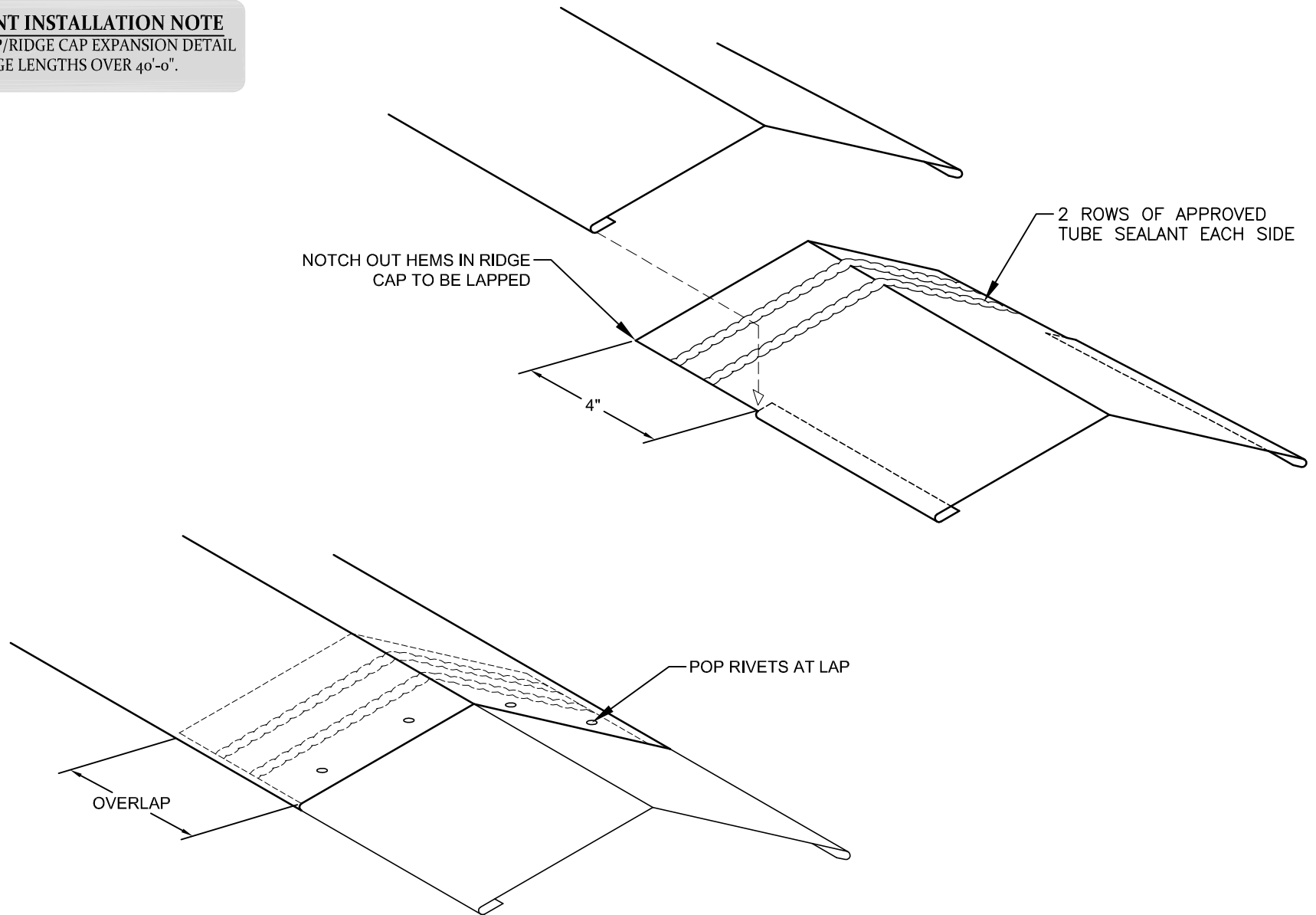
ML150-4.40

Substrate:

Project Name:

Location:

IMPORTANT INSTALLATION NOTE
REFER TO HIP/RIDGE CAP EXPANSION DETAIL
FOR HIP/RIDGE LENGTHS OVER 40'-0".



Description:

HIP & RIDGE CAP LAP DETAIL

Detail No.:

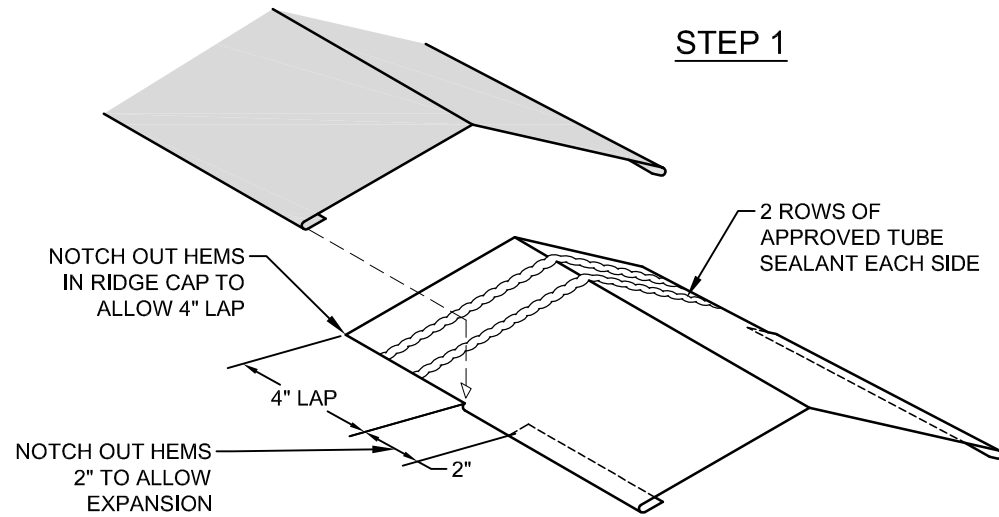
ML150-4.90

Substrate:

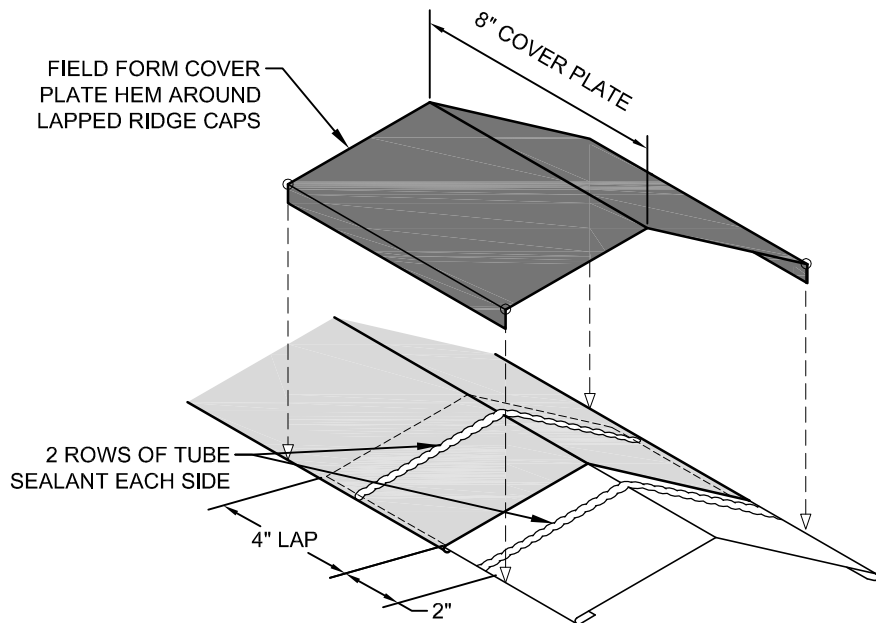
Project Name:

Location:

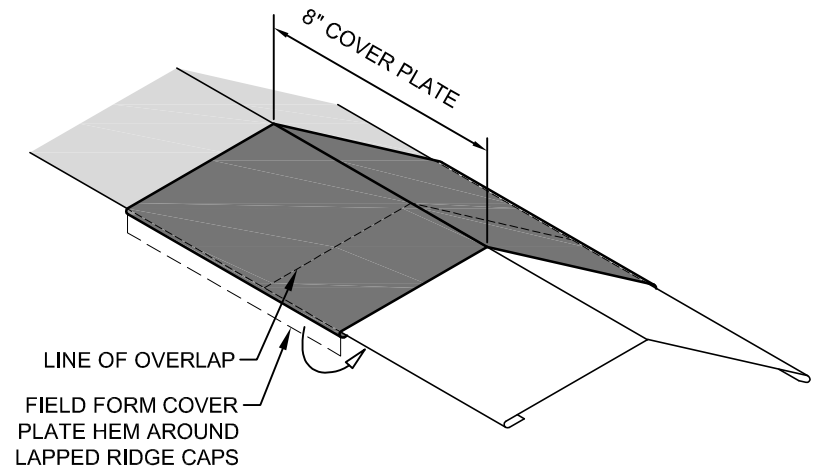
STEP 1



IMPORTANT INSTALLATION NOTE
 USE AT EVERY 4'0" OF CONTINUOUS RIDGE.
 DO NOT POP RIVET LAPPED FLASHING.



STEP 2



STEP 3



Description:

HIP & RIDGE CAP EXPANSION

Detail No.:

ML150-4.91

Substrate:

Project Name:

Location:

PK72 - PEAK FLASHING, 4" END LAPS WITH CONTINUOUS APPROVED SEALANT AT LAPS

3/16" X 7/8" BEAD BUTYL TAPE SEALANT CONTINUOUS UNDER ZEE CLOSURE

#10-9 X 1" PANCAKE HEAD WOOD SCREW, INSTALL MIN. 4 PER ZEE OR 3" ON CENTER

CONTINUOUS BEAD OF APPROVED SEALANT ADJACENT TO PANEL RIBS

ZE16 - ZEE CLOSURE, FIELD CUT TO FIT BETWEEN PANEL RIBS

1/8" X 1/4" STAINLESS STEEL RIVET (PAINTED) AT 18" ON CENTER

ML150 CLIP AND BEARING PLATE W/ (2) #14-13 X (REQ. LENGTH) PANCAKE HEAD SCREWS

UNION CORRUGATING CO. ML150 PANEL

SINGLE LAYER OF APPROVED UNDERLAYMENT

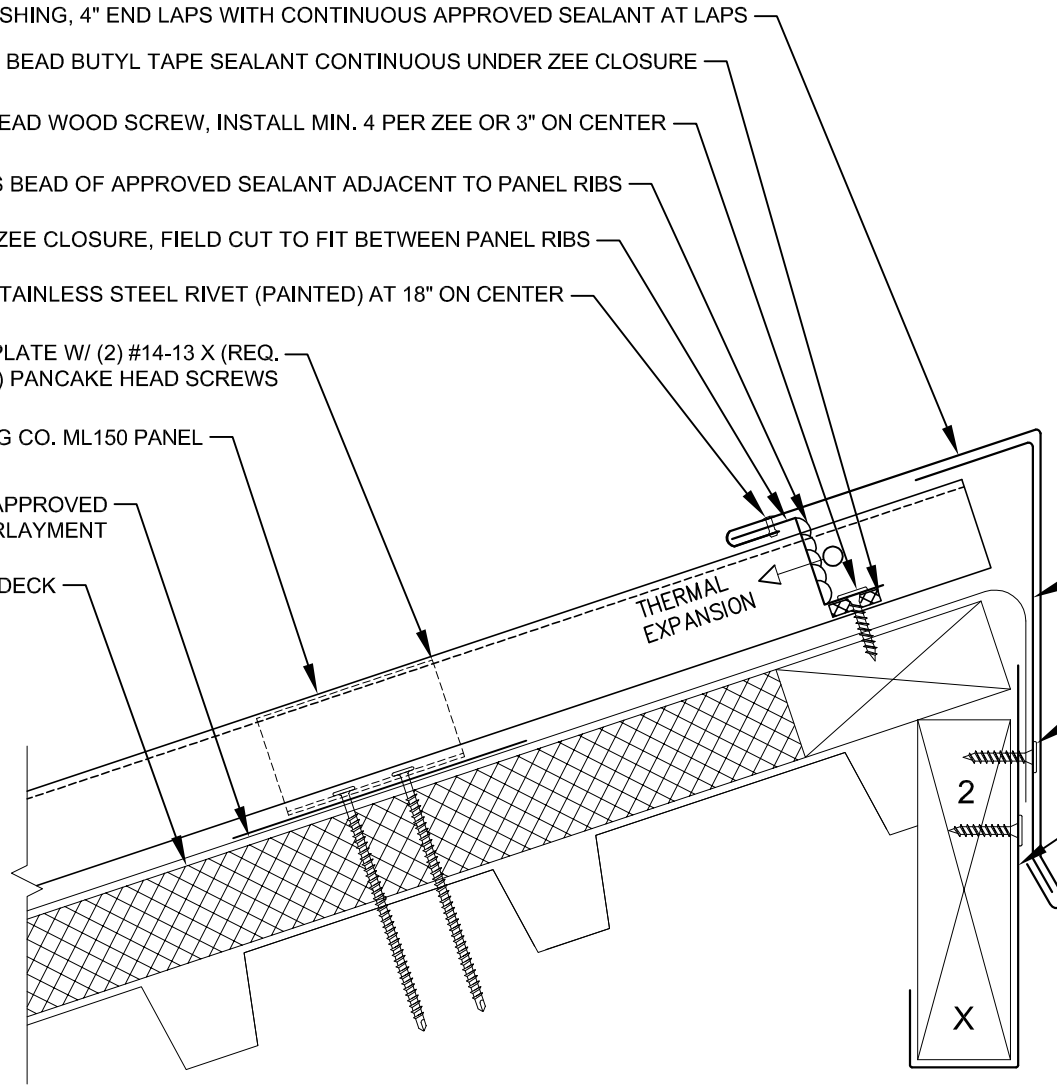
RIGID INSULATION OVER METAL DECK

THERMAL EXPANSION

PC72 - CONTINUOUS CLEAT (MIN. 24 GA. GALVANIZED STEEL)

#10-9 X 1" PANCAKE HEAD WOOD SCREW AT 8" ON CENTER

FA## - FASCIA COVER, 2" END LAPS WITH CONTINUOUS APPROVED SEALANT AT LAPS



Description:

PEAK DETAIL

Detail No.:

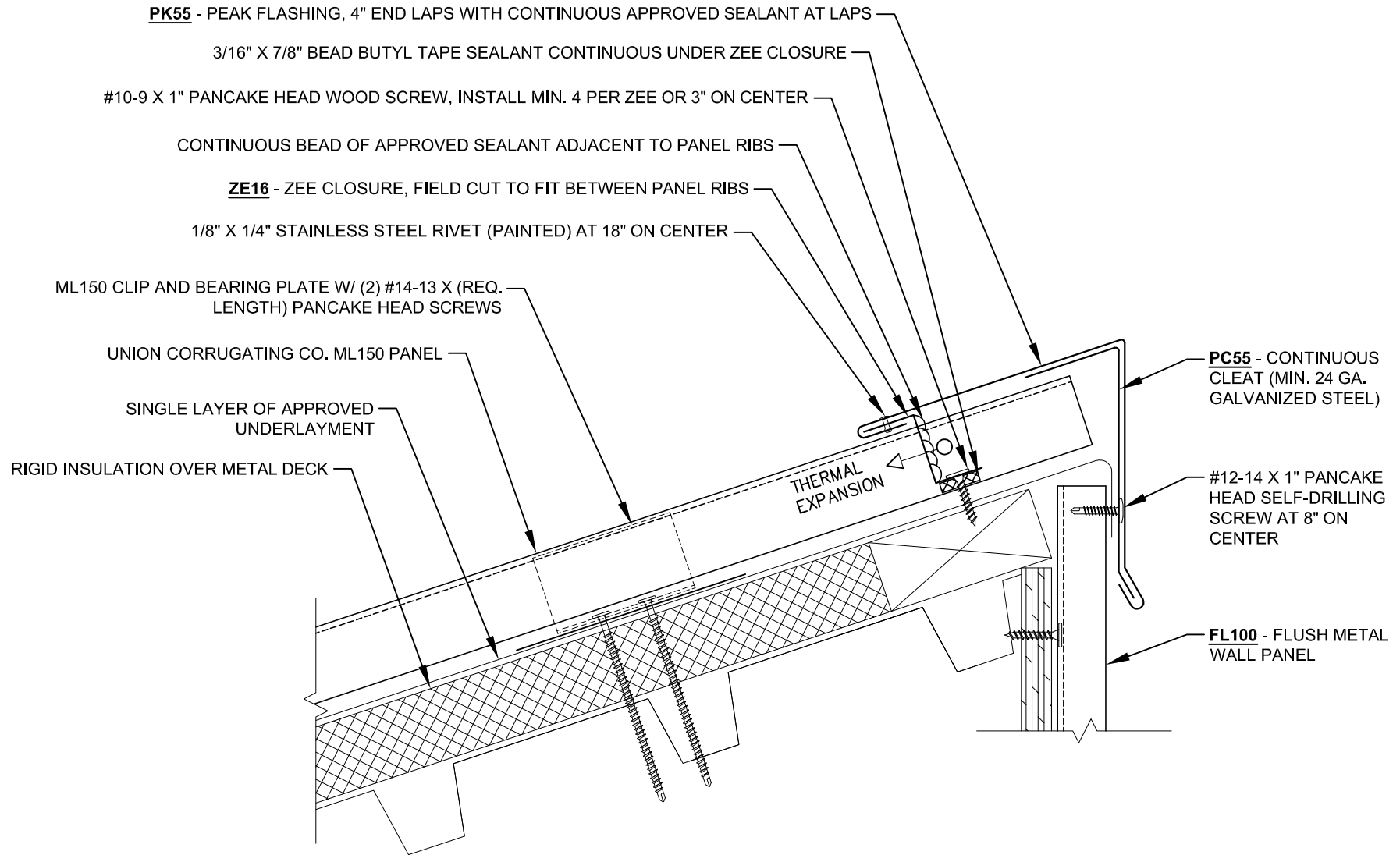
ML150-MD-5.10

Substrate:

RIGID INSULATION OVER METAL DECK

Project Name:

Location:



Description:

PEAK DETAIL - WITH WALL PANELS

Detail No.:

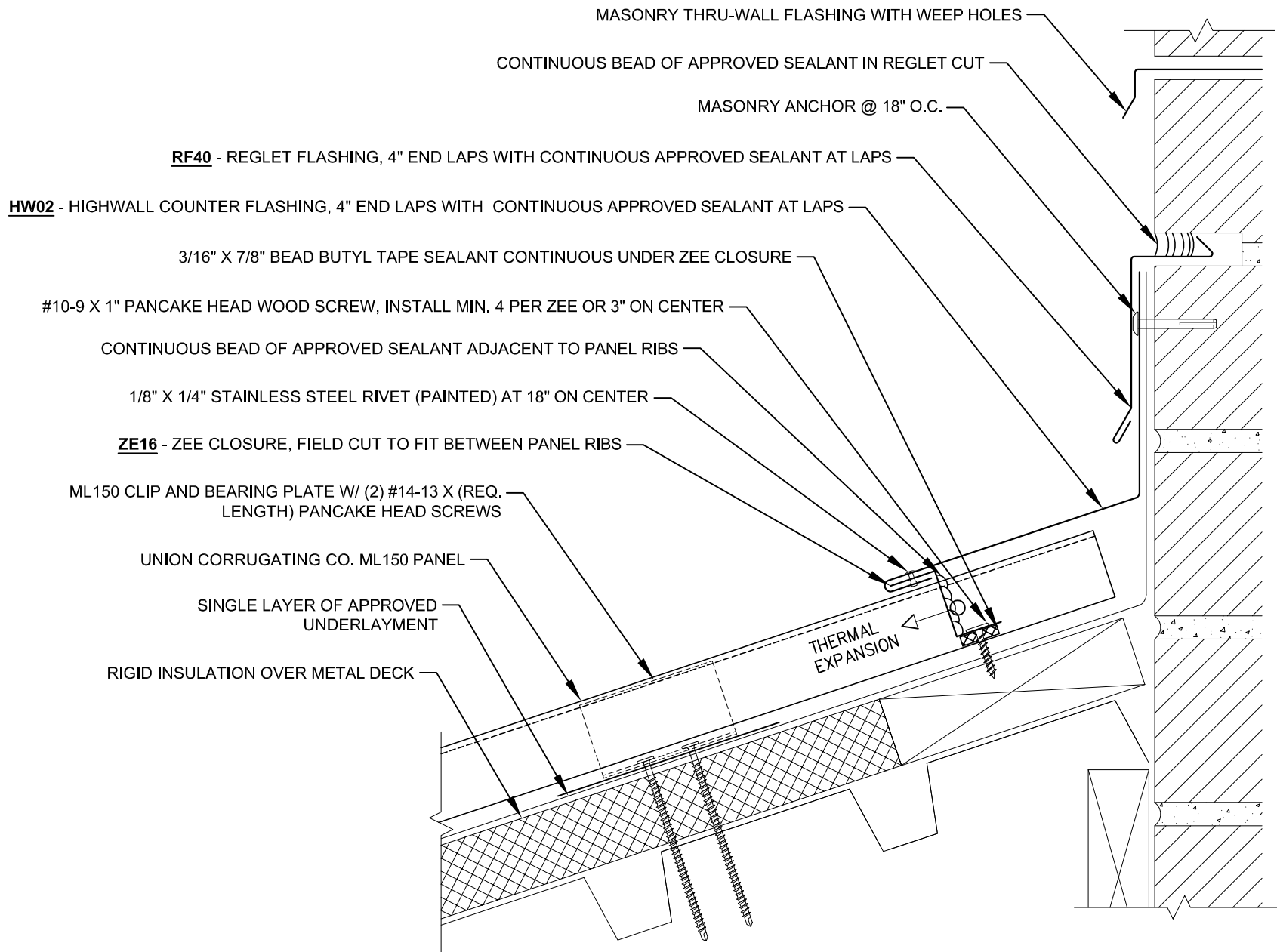
ML150-MD-5.40

Substrate:

RIGID INSULATION OVER METAL DECK

Project Name:

Location:



Description:

HIGHWALL DETAIL - REGLET

Detail No.:

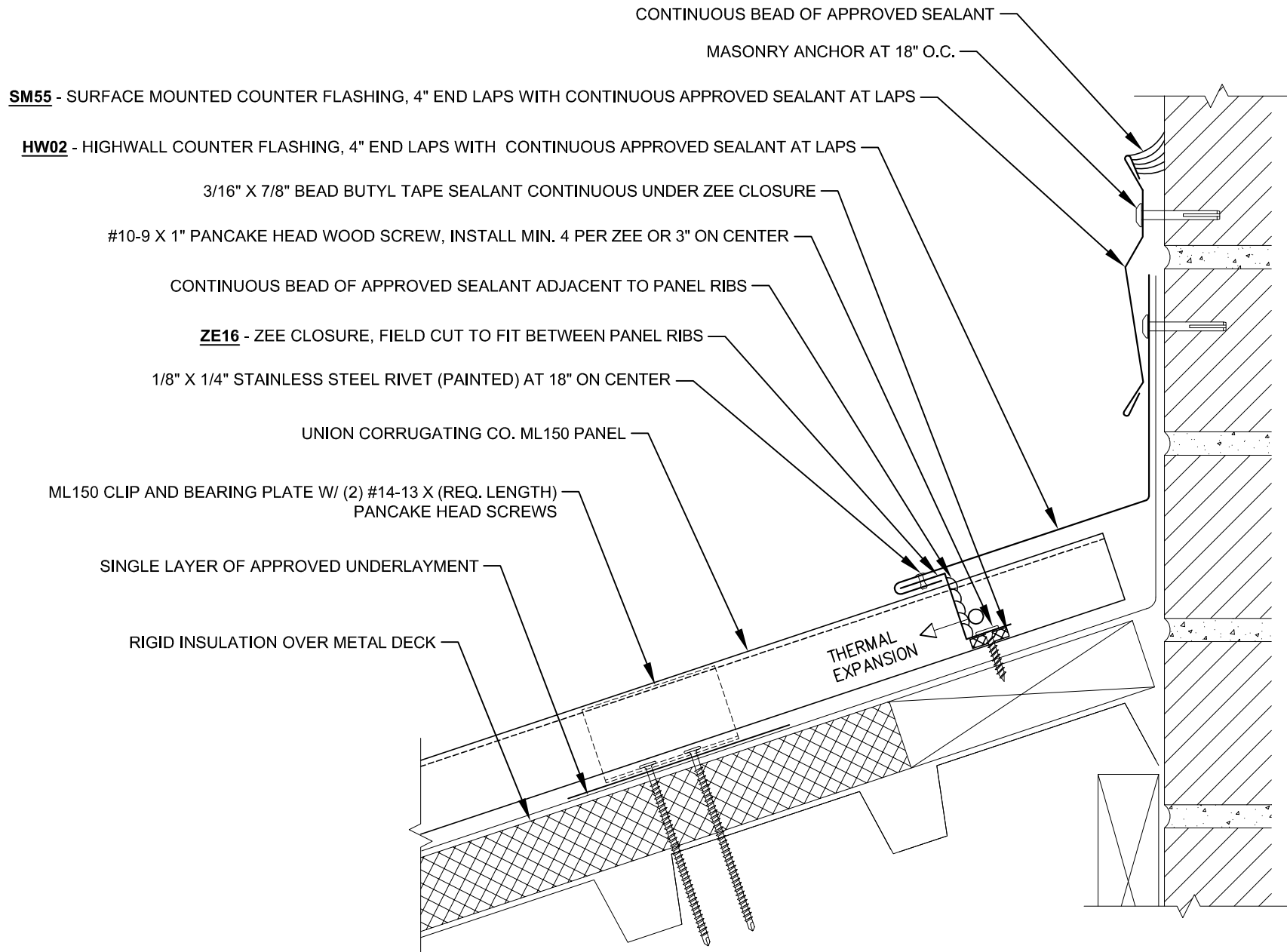
ML150-MD-6.10

Substrate:

RIGID INSULATION OVER METAL DECK

Project Name:

Location:

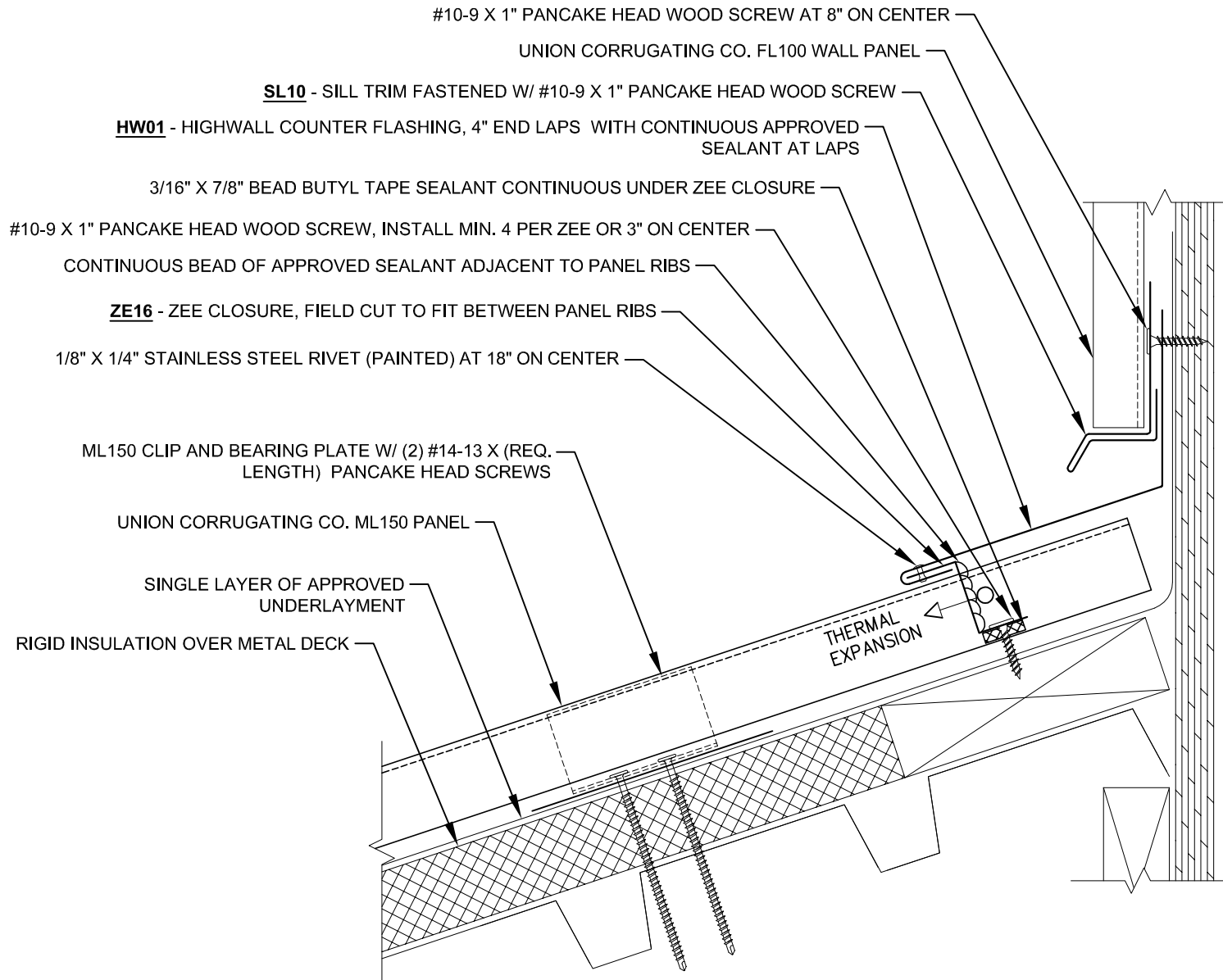


Description: **HIGHWALL DETAIL - SURFACE MOUNT**

Substrate: **RIGID INSULATION OVER METAL DECK**

Project Name:
Location:

Detail No.: **ML150-MD-6.12**



Description:

HIGHWALL DETAIL - WALL PANEL W/ SILL

Detail No.:

ML150-MD-6.14

Substrate:

RIGID INSULATION OVER METAL DECK

Project Name:

Location:

MEMBRANE ROOFING SYSTEM. EXTEND OVER PARAPET AND DOWN FACE OF WALL MINIMUM 3"

COPING SYSTEM WITH CONTINUOUS CLEAT (MIN. 24 GAUGE) FASTENED AT 8" ON CENTER AT CLEAT AND 24" ON CENTER AT REAR. INSTALL WITH 4" END LAPS WITH CONTINUOUS APPROVED SEALANT AT LAPS.

HW02 - HIGHWALL COUNTER FLASHING, 4" END LAPS WITH CONTINUOUS APPROVED SEALANT AT LAPS

3/16" X 7/8" BEAD BUTYL TAPE SEALANT CONTINUOUS UNDER ZEE CLOSURE

#10-9 X 1" PANCAKE HEAD WOOD SCREW, INSTALL MIN. 4 PER ZEE OR 3" ON CENTER

CONTINUOUS BEAD OF APPROVED SEALANT ADJACENT TO PANEL RIBS

ZE16 - ZEE CLOSURE, FIELD CUT TO FIT BETWEEN PANEL RIBS

1/8" X 1/4" STAINLESS STEEL RIVET (PAINTED) AT 18" ON CENTER

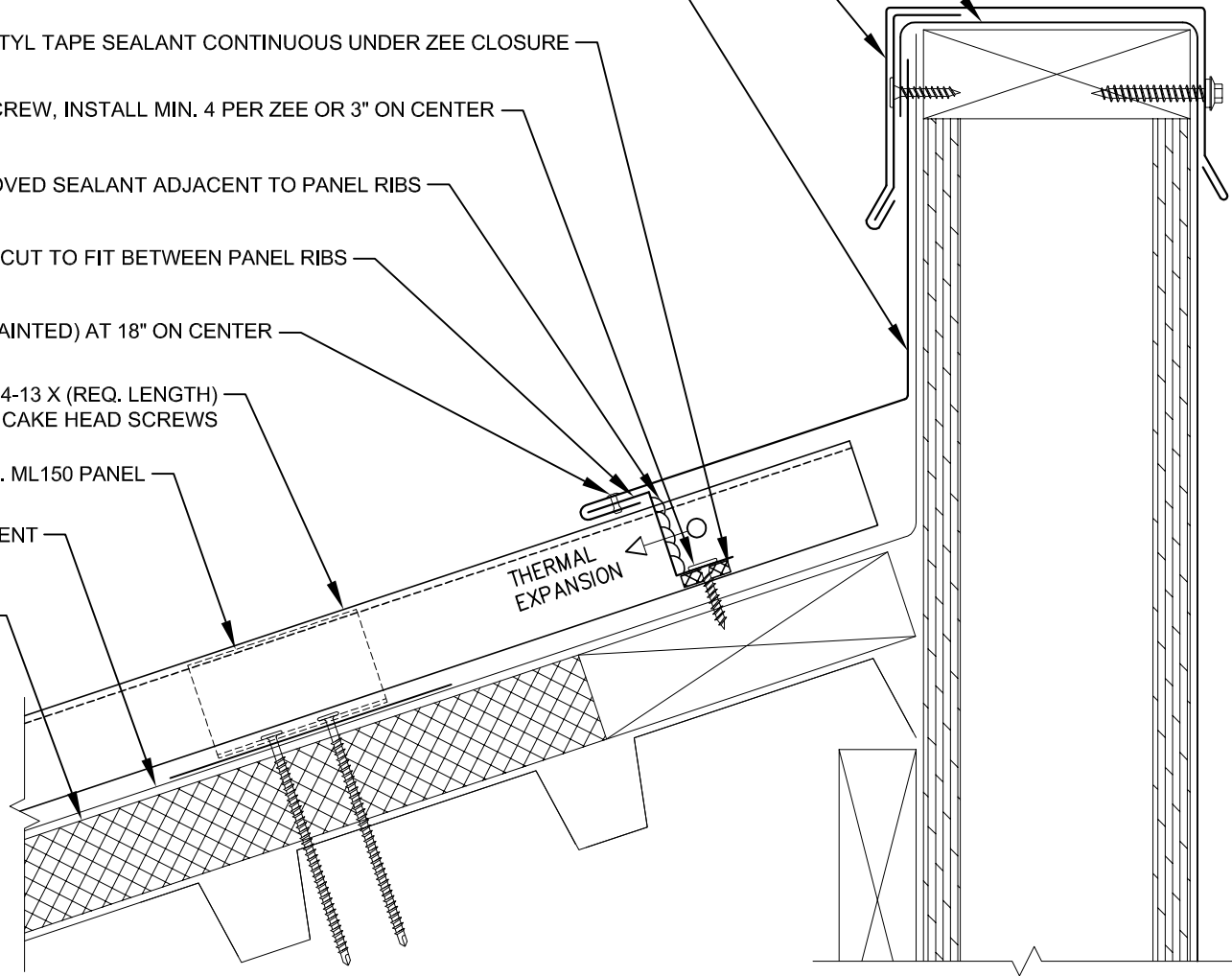
ML150 CLIP AND BEARING PLATE W/ (2) #14-13 X (REQ. LENGTH) PANCAKE HEAD SCREWS

UNION CORRUGATING CO. ML150 PANEL

SINGLE LAYER OF APPROVED UNDERLAYMENT

RIGID INSULATION OVER METAL DECK

THERMAL EXPANSION



Description:

HIGHWALL DETAIL - PARAPET COPING

Detail No.:

ML150-MD-6.20

Substrate:

RIGID INSULATION OVER METAL DECK

Project Name:

Location:

FILL END OF PANEL RIB W/ APPROVED SEALANT FOLD TAB AROUND RIB FOR CLOSURE

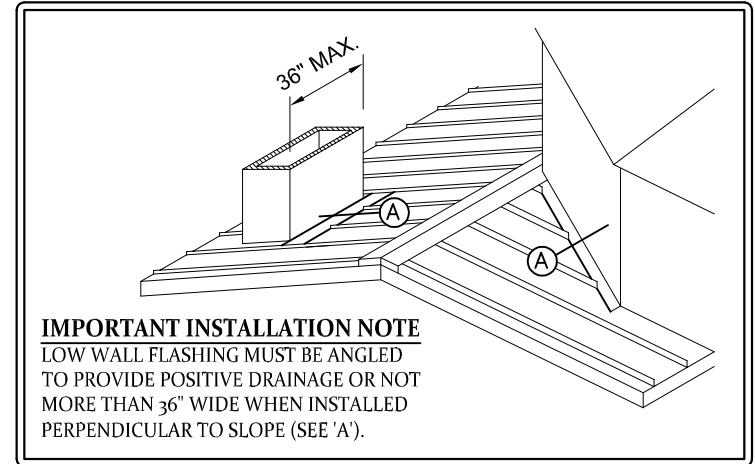
LW01 - LOW WALL FLASHING, 12" END LAPS WITH 2 ROWS OF APPROVED SEALANT AT LAPS

CUT BACK VERTICAL PANEL LEGS AND FIELD FORM PANEL AROUND OFFSET. REFER TO EAVE EXPANSION DETAIL FOR PROPER EXPANSION/CONTRACTION GAP

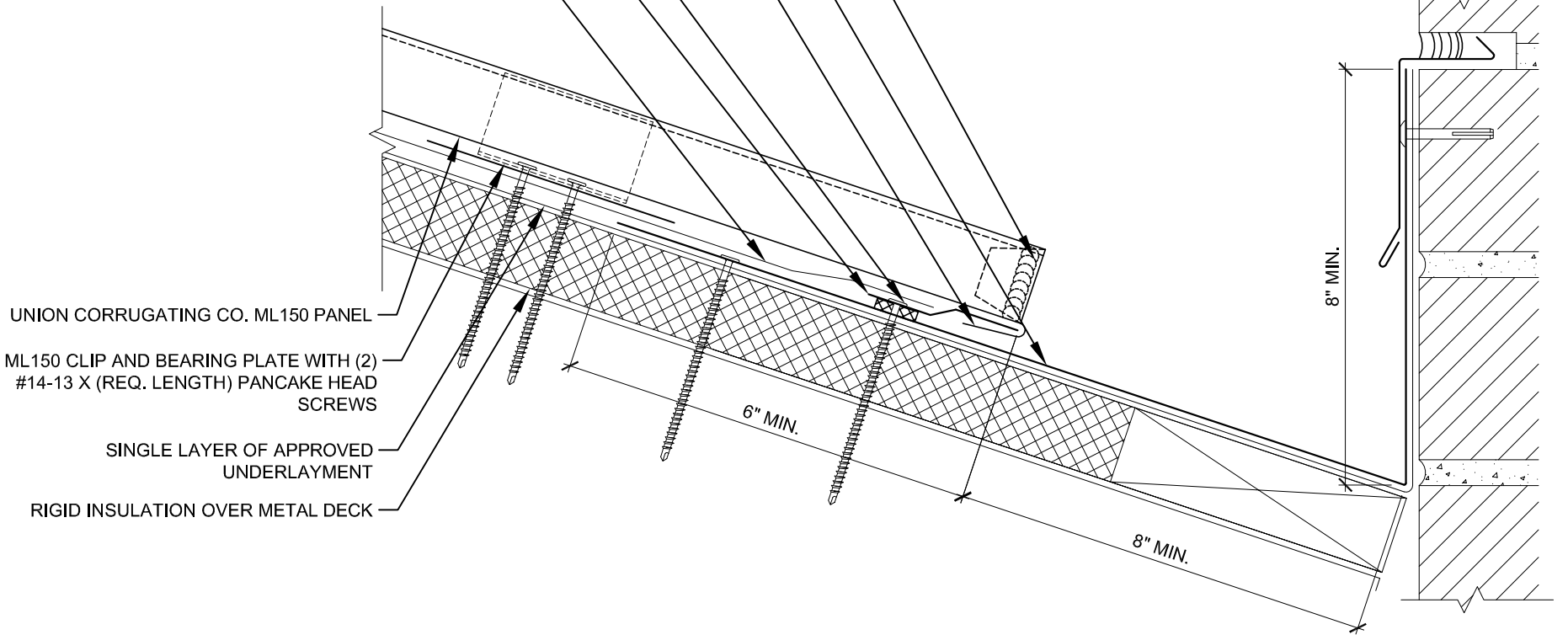
#14-13 X (REQ. LENGTH) PANCAKE HEAD SCREW AT 8" O.C.

OC01 - CONTINUOUS 24 GAUGE OFFSET CLEAT SET IN CONTINUOUS 3/16" X 7/8" BUTYL TAPE SEALANT

STRIP IN LOW WALL FLASHING WITH FIELD COURSE OF APPROVED UNDERLAYMENT



IMPORTANT INSTALLATION NOTE
 LOW WALL FLASHING MUST BE ANGLED TO PROVIDE POSITIVE DRAINAGE OR NOT MORE THAN 36" WIDE WHEN INSTALLED PERPENDICULAR TO SLOPE (SEE 'A').



UNION CORRUGATING CO. ML150 PANEL

ML150 CLIP AND BEARING PLATE WITH (2) #14-13 X (REQ. LENGTH) PANCAKE HEAD SCREWS

SINGLE LAYER OF APPROVED UNDERLAYMENT

RIGID INSULATION OVER METAL DECK



Description:

VALLEY WALL DETAIL

Detail No.:

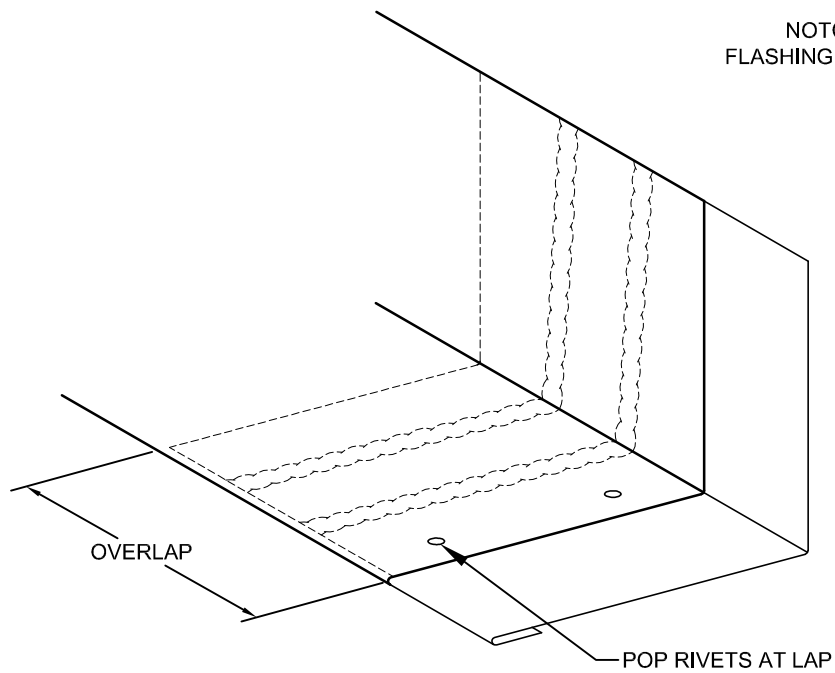
ML150-MD-6.30

Substrate:

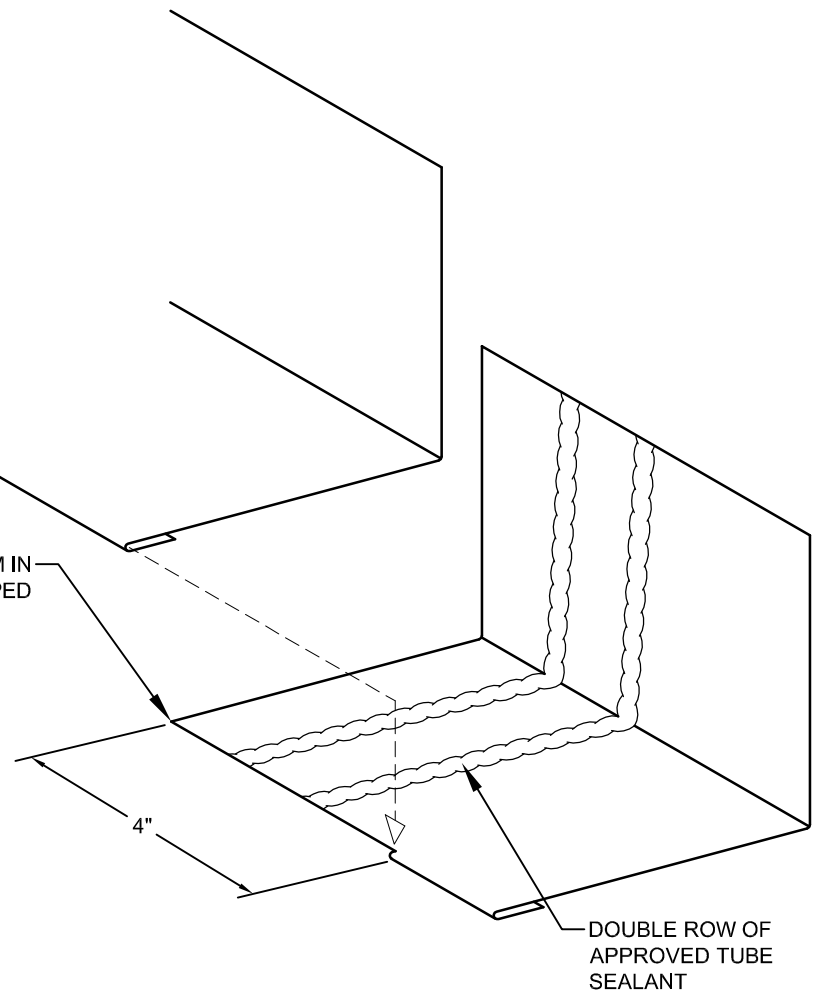
RIGID INSULATION OVER METAL DECK

Project Name:

Location:



NOTCH OUT HEM IN FLASHING TO BE LAPPED



Description:

HIGHWALL LAP DETAIL

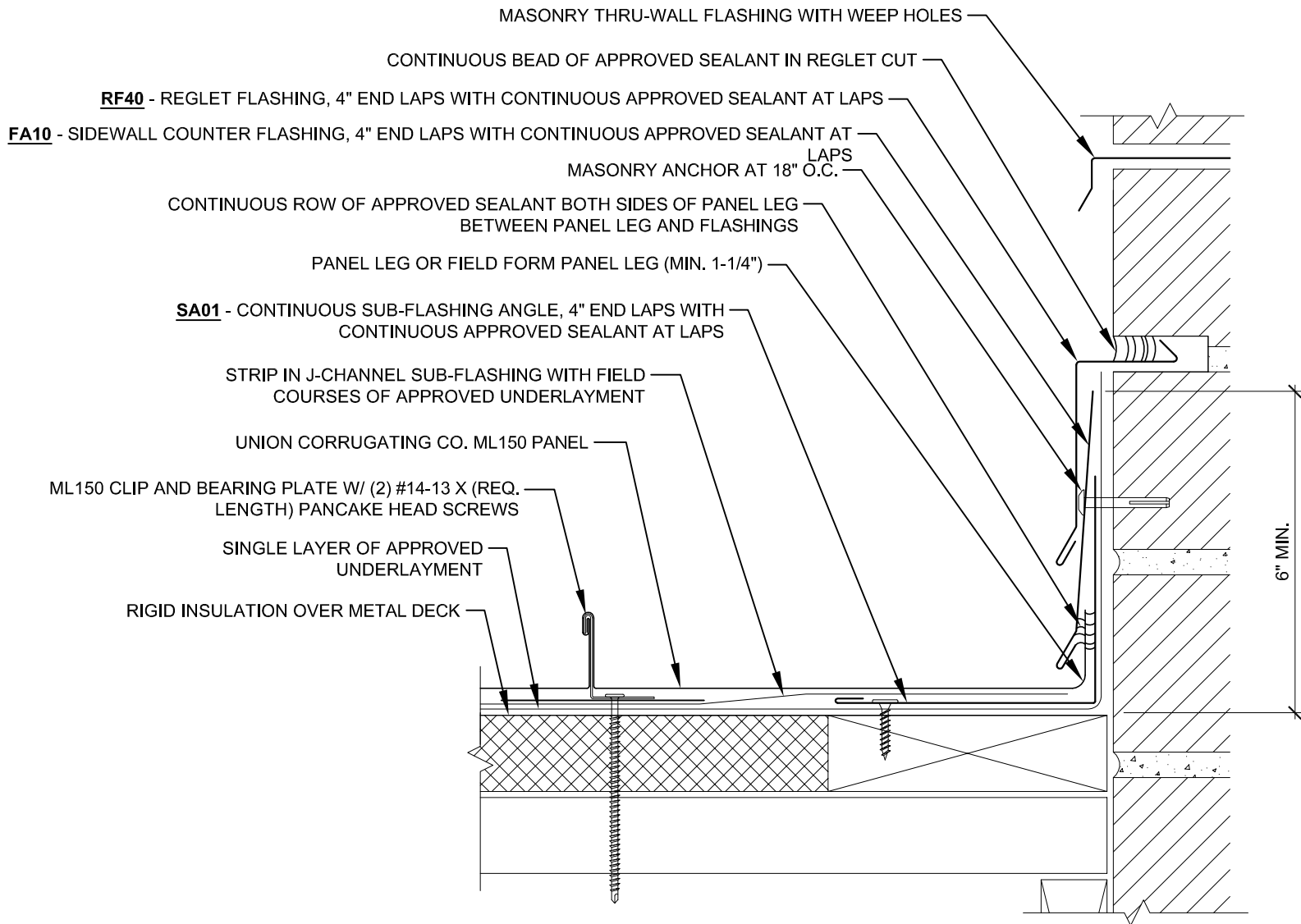
Detail No.:

ML150-6.90

Substrate:

Project Name:

Location:



Description:

SIDEWALL DETAIL - REGLET

Detail No.:

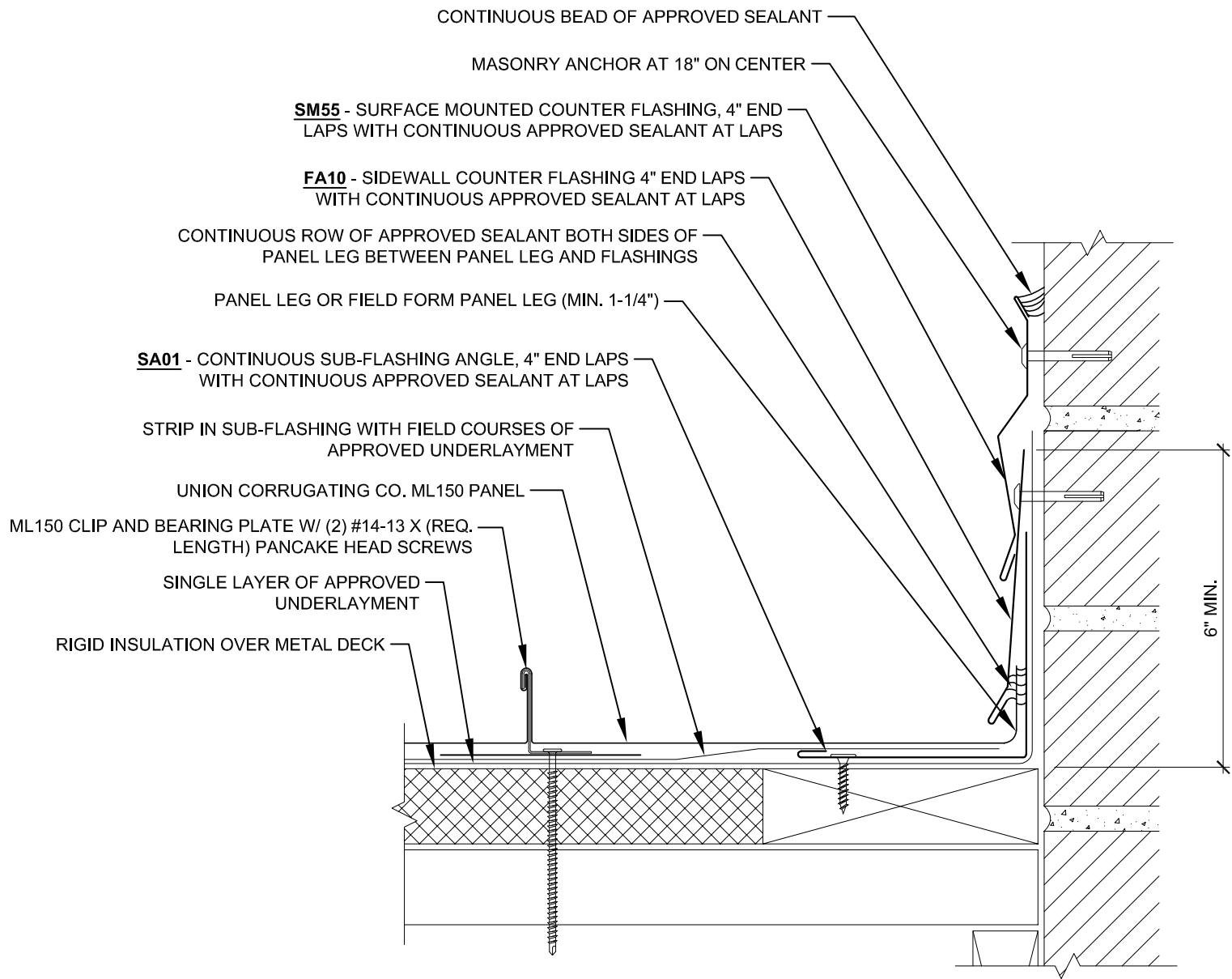
ML150-MD-7.11

Substrate:

RIGID INSULATION OVER METAL DECK

Project Name:

Location:



Description:

SIDEWALL DETAIL - SURFACE MOUNT

Detail No.:

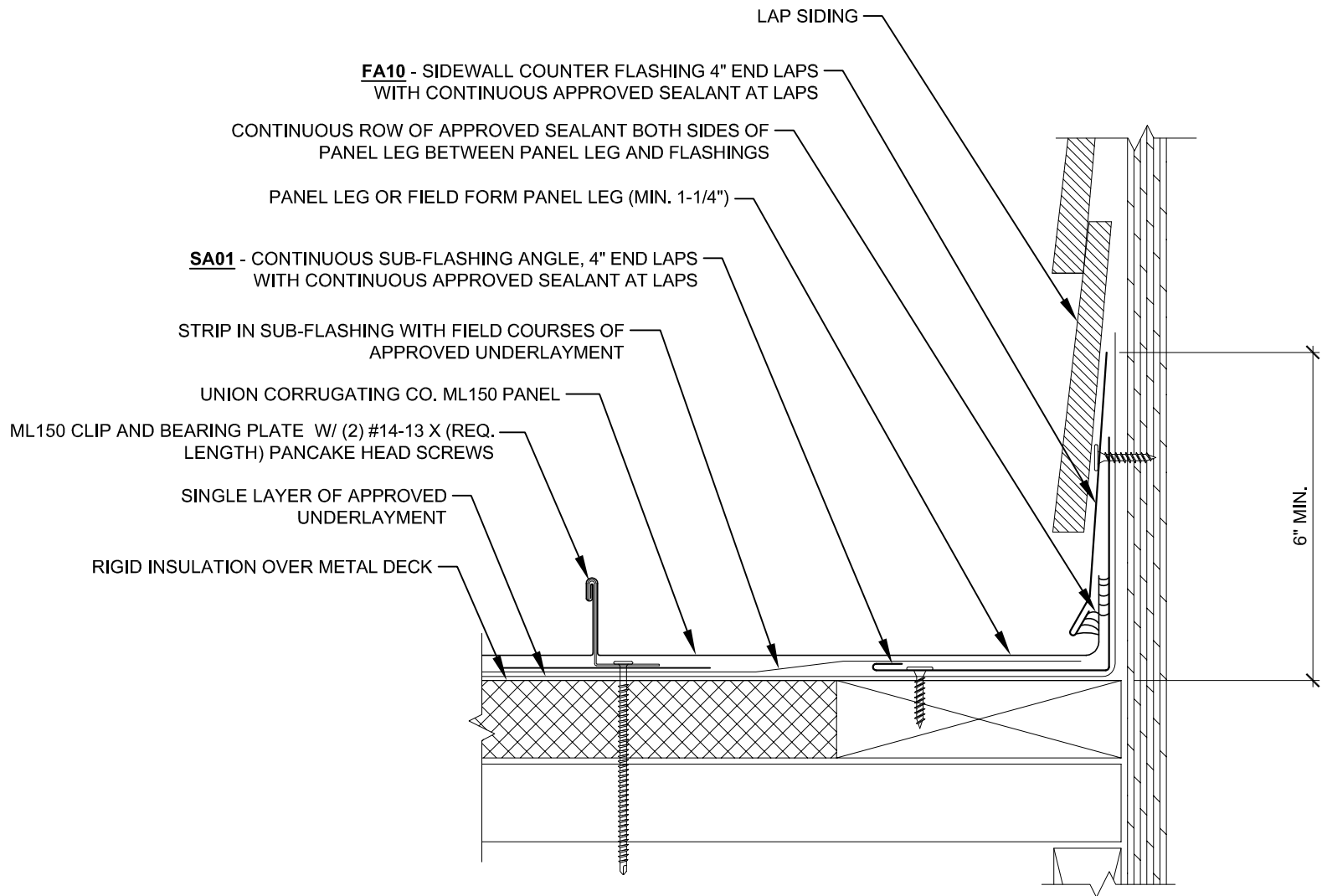
ML150-MD-7.12

Substrate:

RIGID INSULATION OVER METAL DECK

Project Name:

Location:



Description:

SIDEWALL DETAIL - WOOD FRAMING & SIDING

Detail No.:

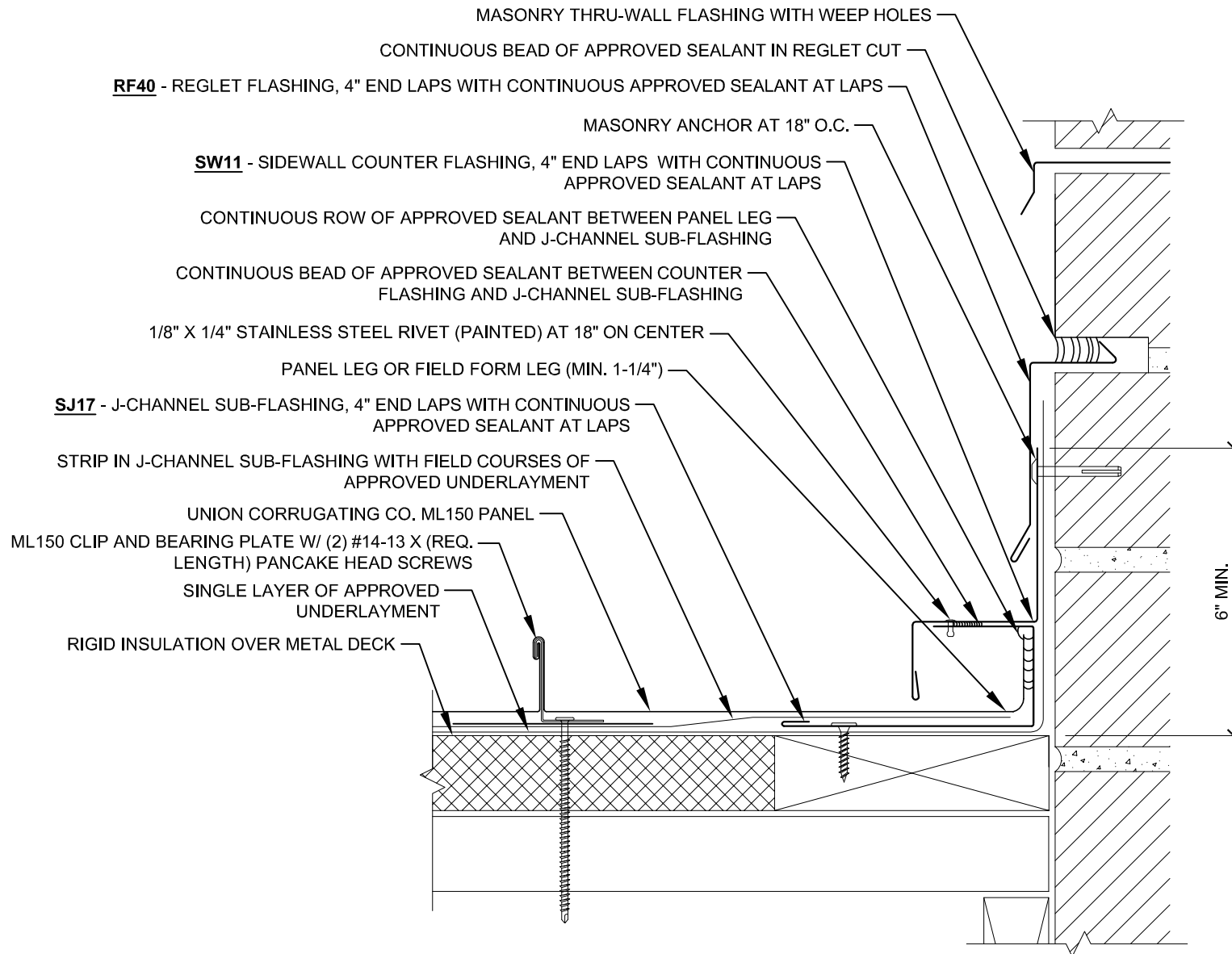
ML150-MD-7.13

Substrate:

RIGID INSULATION OVER METAL DECK

Project Name:

Location:



Description:

SIDEWALL DETAIL - REGLET

Detail No.:

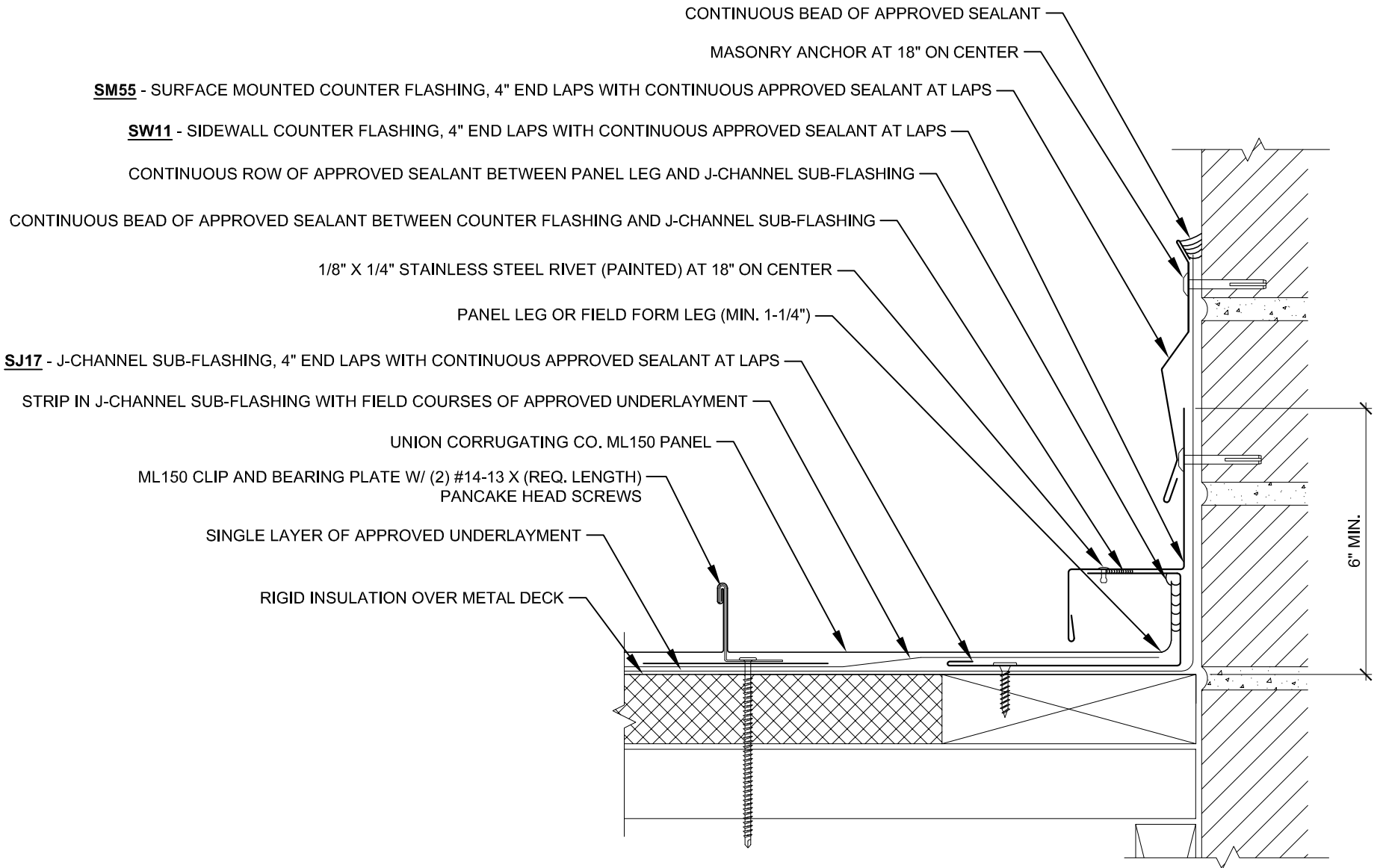
ML150-MD-7.21

Substrate:

RIGID INSULATION OVER METAL DECK

Project Name:

Location:



Description:

SIDEWALL DETAIL - SURFACE MOUNT

Detail No.:

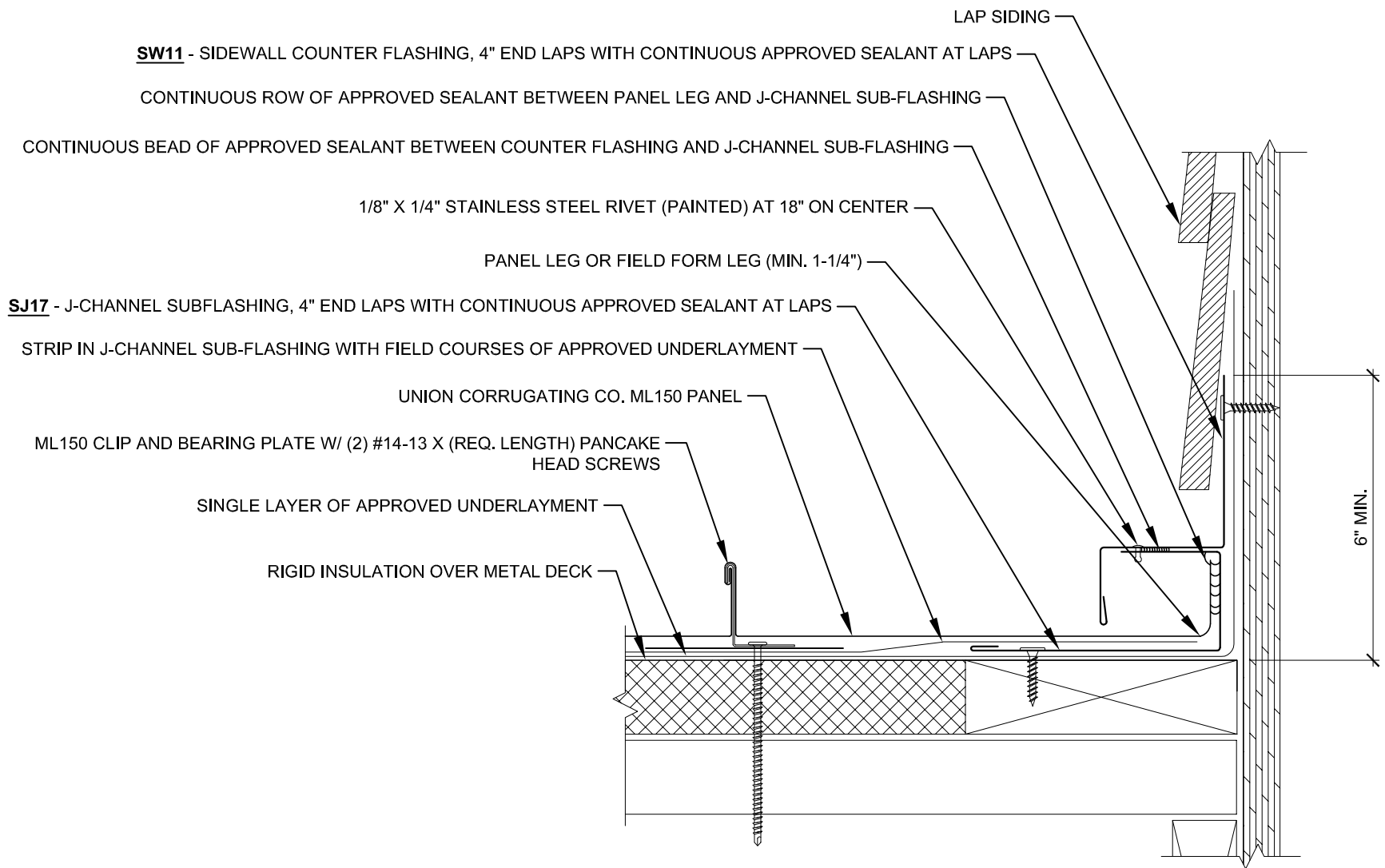
ML150-MD-7.22

Substrate:

RIGID INSULATION OVER METAL DECK

Project Name:

Location:



SW11 - SIDEWALL COUNTER FLASHING, 4" END LAPS WITH CONTINUOUS APPROVED SEALANT AT LAPS

CONTINUOUS ROW OF APPROVED SEALANT BETWEEN PANEL LEG AND J-CHANNEL SUB-FLASHING

CONTINUOUS BEAD OF APPROVED SEALANT BETWEEN COUNTER FLASHING AND J-CHANNEL SUB-FLASHING

1/8" X 1/4" STAINLESS STEEL RIVET (PAINTED) AT 18" ON CENTER

PANEL LEG OR FIELD FORM LEG (MIN. 1-1/4")

SJ17 - J-CHANNEL SUBFLASHING, 4" END LAPS WITH CONTINUOUS APPROVED SEALANT AT LAPS

STRIP IN J-CHANNEL SUB-FLASHING WITH FIELD COURSES OF APPROVED UNDERLAYMENT

UNION CORRUGATING CO. ML150 PANEL

ML150 CLIP AND BEARING PLATE W/ (2) #14-13 X (REQ. LENGTH) PANCAKE HEAD SCREWS

SINGLE LAYER OF APPROVED UNDERLAYMENT

RIGID INSULATION OVER METAL DECK

6" MIN.

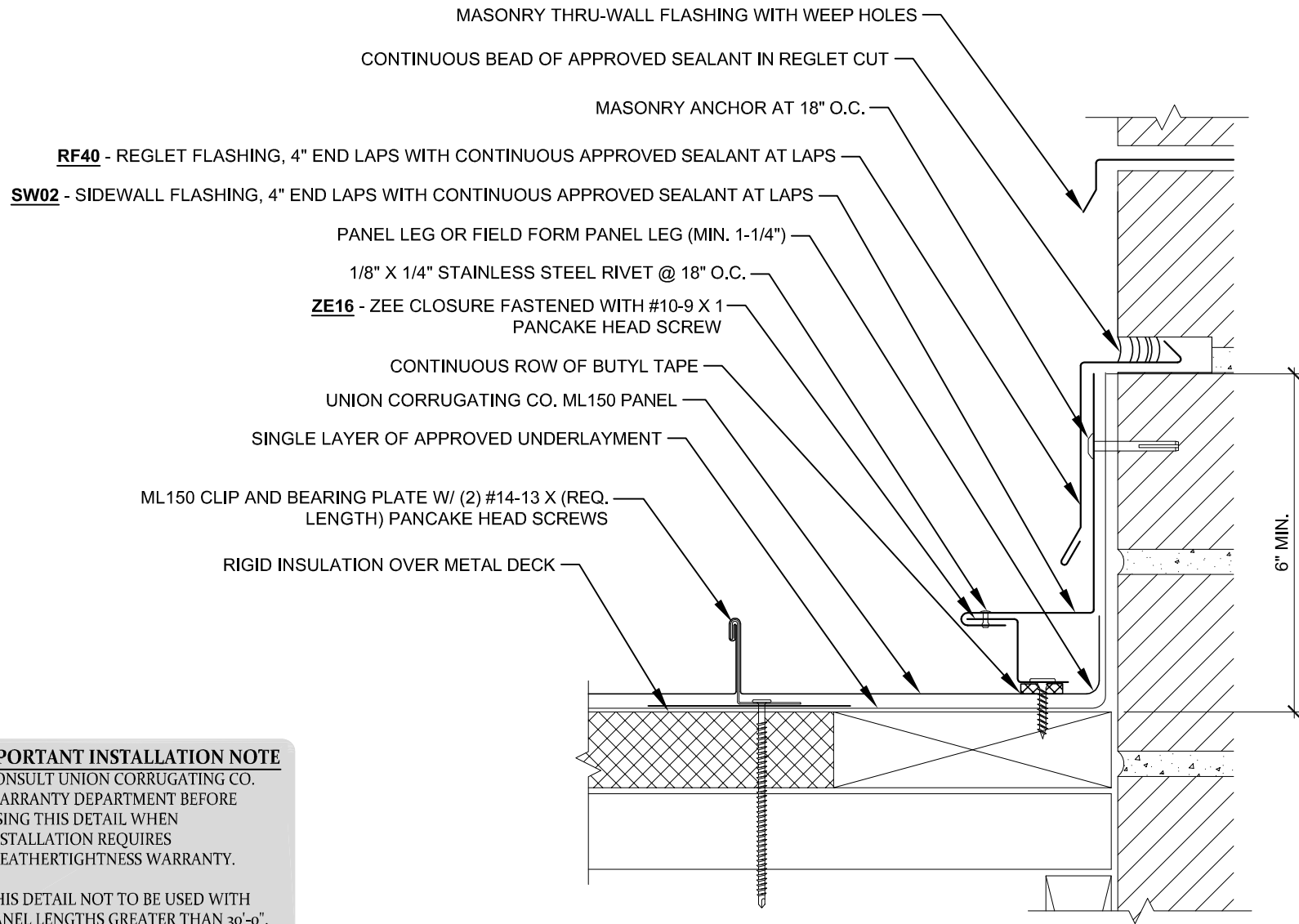


Description: **SIDEWALL DETAIL - WOOD FRAMING & SIDING**

Detail No.: **ML150-MD-7.23**

Substrate: **RIGID INSULATION OVER METAL DECK**

Project Name:
Location:

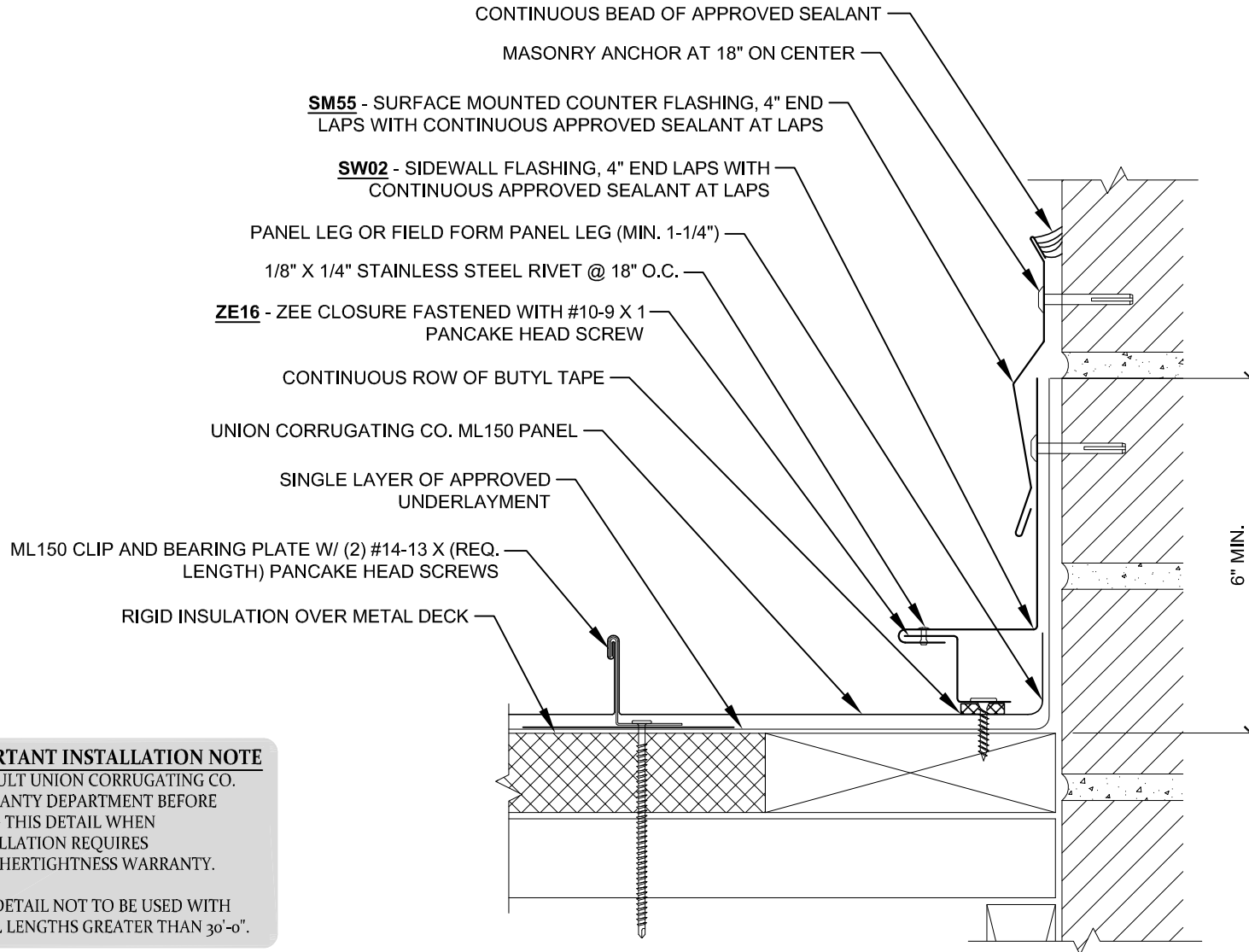


IMPORTANT INSTALLATION NOTE

- CONSULT UNION CORRUGATING CO. WARRANTY DEPARTMENT BEFORE USING THIS DETAIL WHEN INSTALLATION REQUIRES WEATHERTIGHTNESS WARRANTY.
- THIS DETAIL NOT TO BE USED WITH PANEL LENGTHS GREATER THAN 30'-0".



Description:	SIDEWALL W/ ZEE DETAIL - REGLET		Detail No.:	ML150-MD-7.31
	Substrate:	RIGID INSULATION OVER METAL DECK		Project Name:



IMPORTANT INSTALLATION NOTE

- CONSULT UNION CORRUGATING CO. WARRANTY DEPARTMENT BEFORE USING THIS DETAIL WHEN INSTALLATION REQUIRES WEATHERTIGHTNESS WARRANTY.
- THIS DETAIL NOT TO BE USED WITH PANEL LENGTHS GREATER THAN 30'-0".

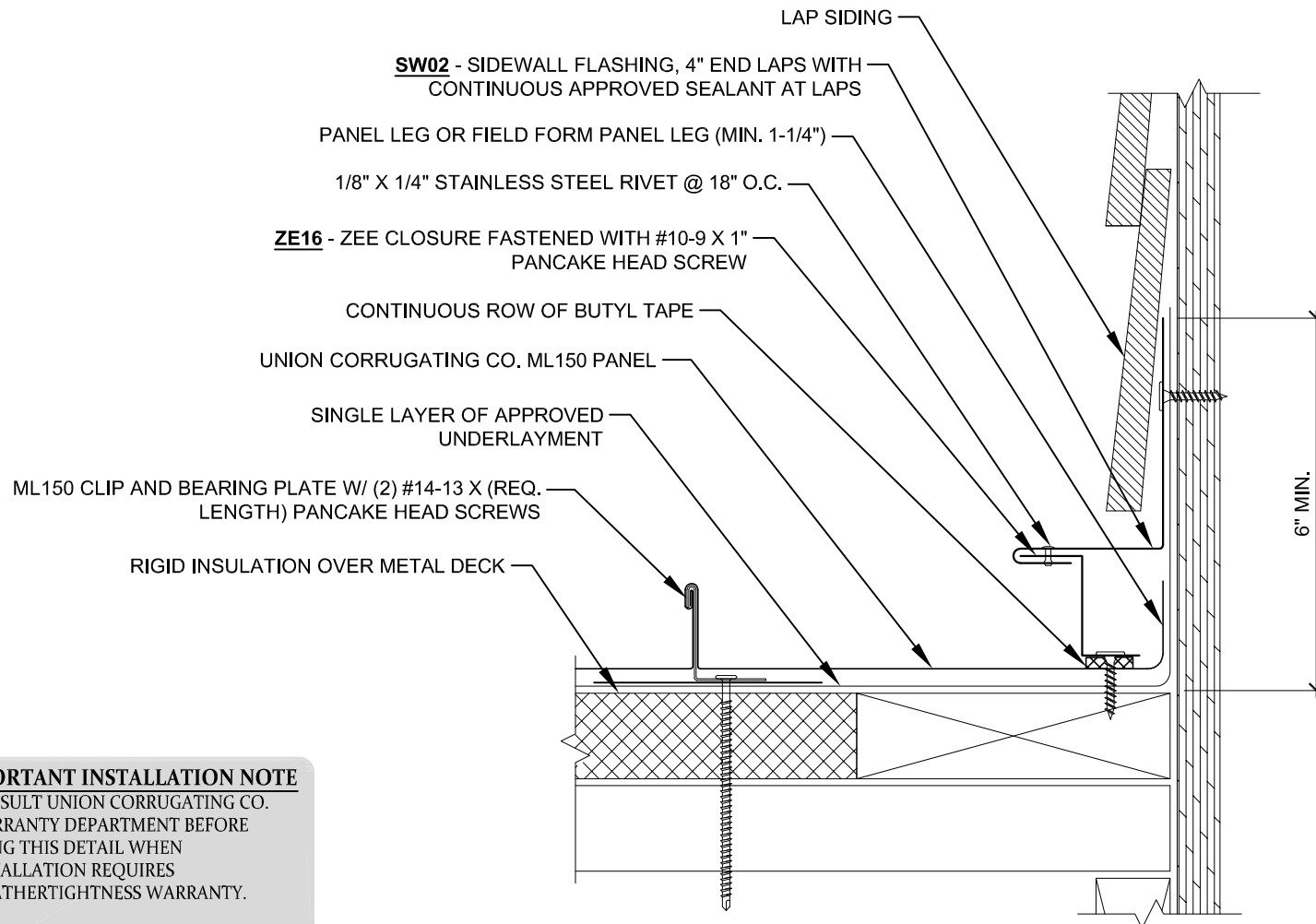


Description: **SIDEWALL W/ ZEE DETAIL - SURFACE MOUNT**

Detail No.: **ML150-MD-7.32**

Substrate: **RIGID INSULATION OVER METAL DECK**

Project Name:
Location:



IMPORTANT INSTALLATION NOTE

- CONSULT UNION CORRUGATING CO. WARRANTY DEPARTMENT BEFORE USING THIS DETAIL WHEN INSTALLATION REQUIRES WEATHERTIGHTNESS WARRANTY.
- THIS DETAIL NOT TO BE USED WITH PANEL LENGTHS GREATER THAN 30'-0".



Description:

SIDEWALL W/ ZEE - WOOD FRAMING & SIDING

Detail No.:

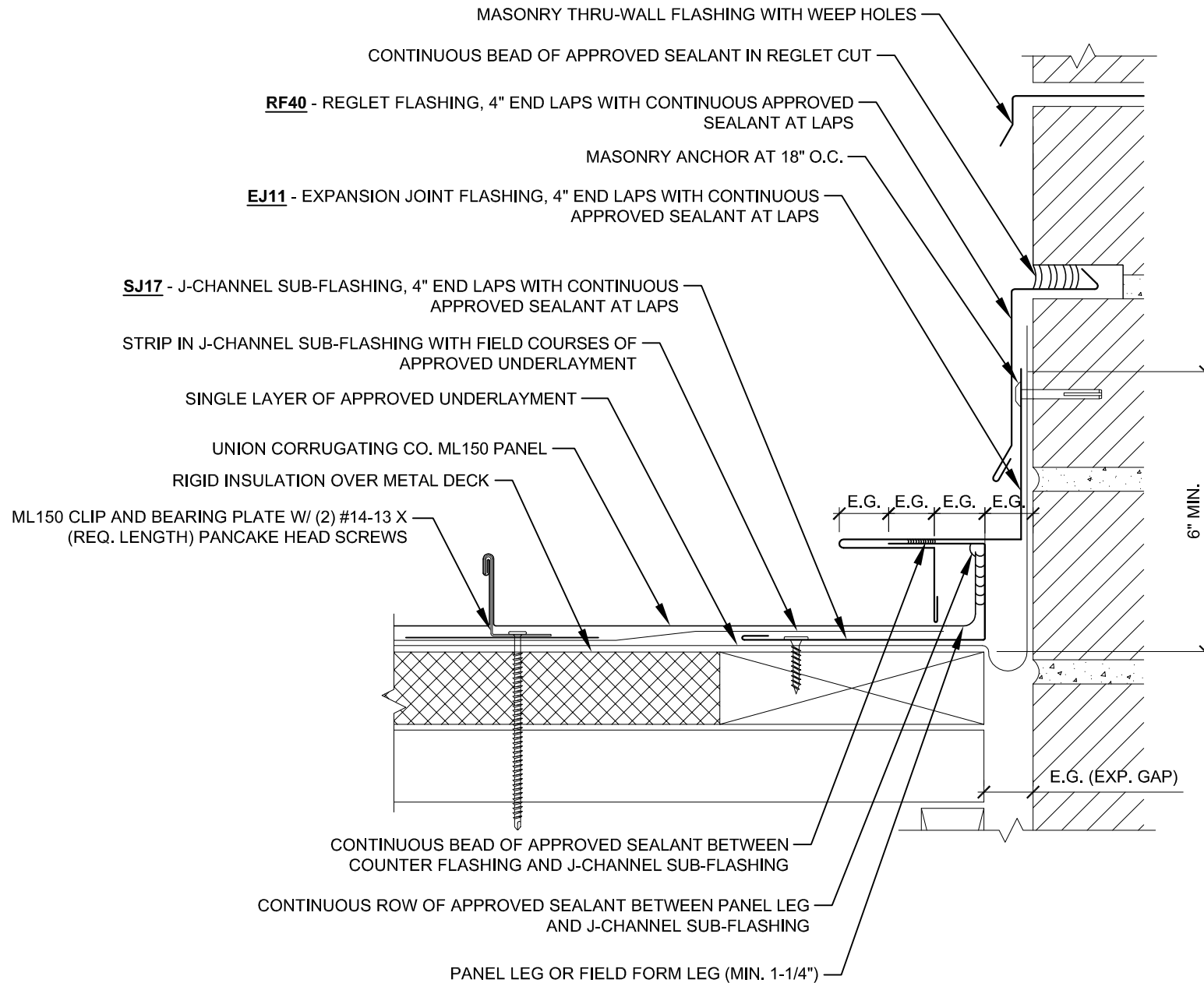
ML150-MD-7.33

Substrate:

RIGID INSULATION OVER METAL DECK

Project Name:

Location:



Description:

SIDEWALL EXPANSION JOINT DETAIL

Detail No.:

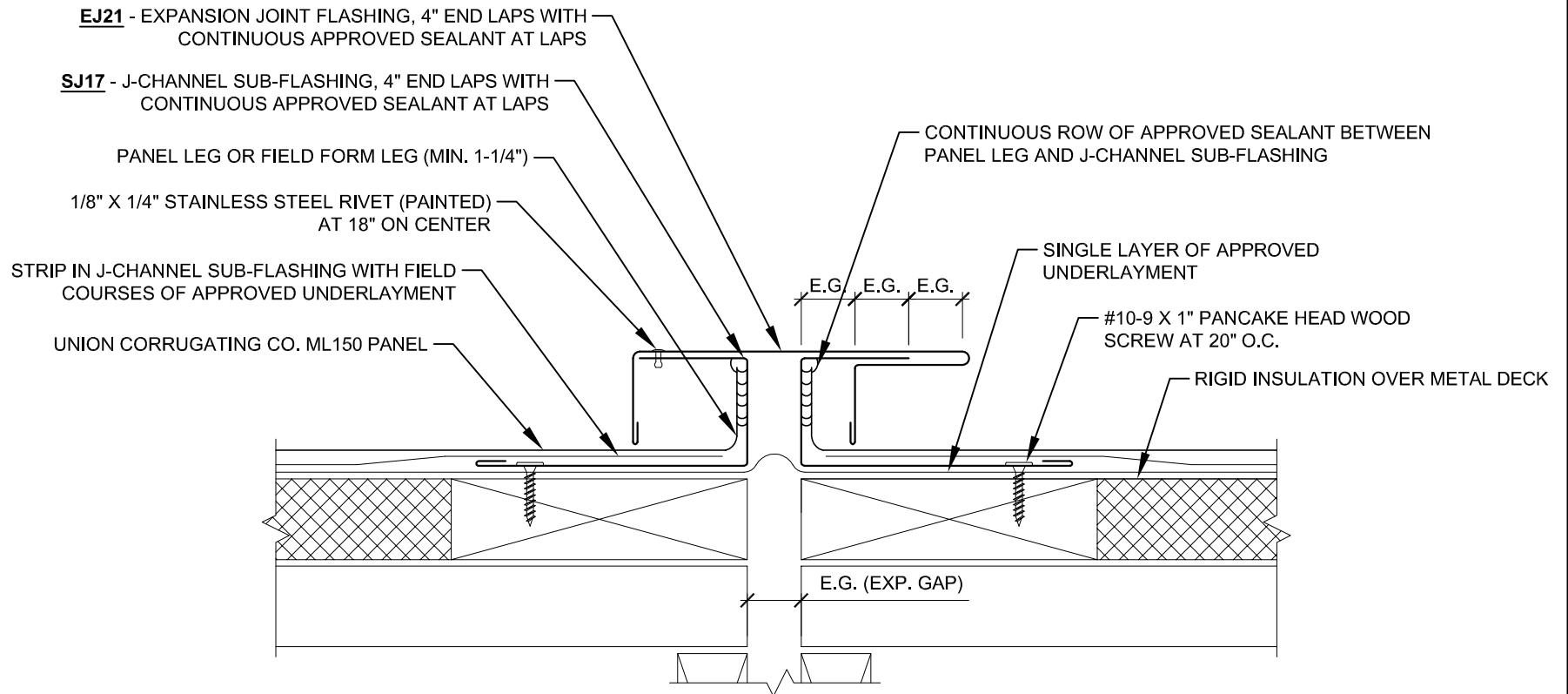
ML150-MD-7.40

Substrate:

RIGID INSULATION OVER METAL DECK

Project Name:

Location:



Description:

EXPANSION JOINT (MID-ROOF)

Detail No.:

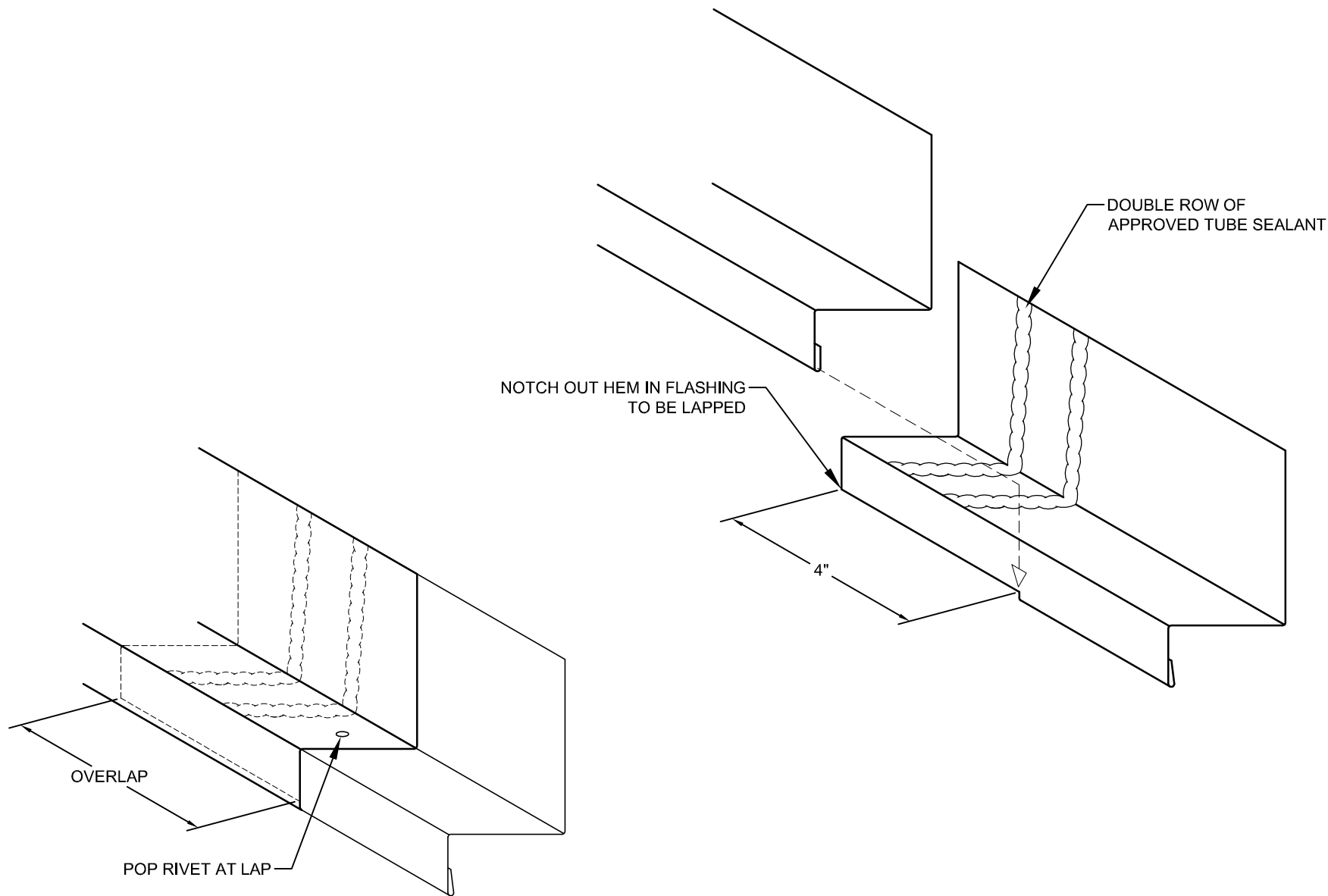
ML150-MD-7.50

Substrate:

RIGID INSULATION OVER METAL DECK

Project Name:

Location:



Description:

SIDEWALL LAP DETAIL

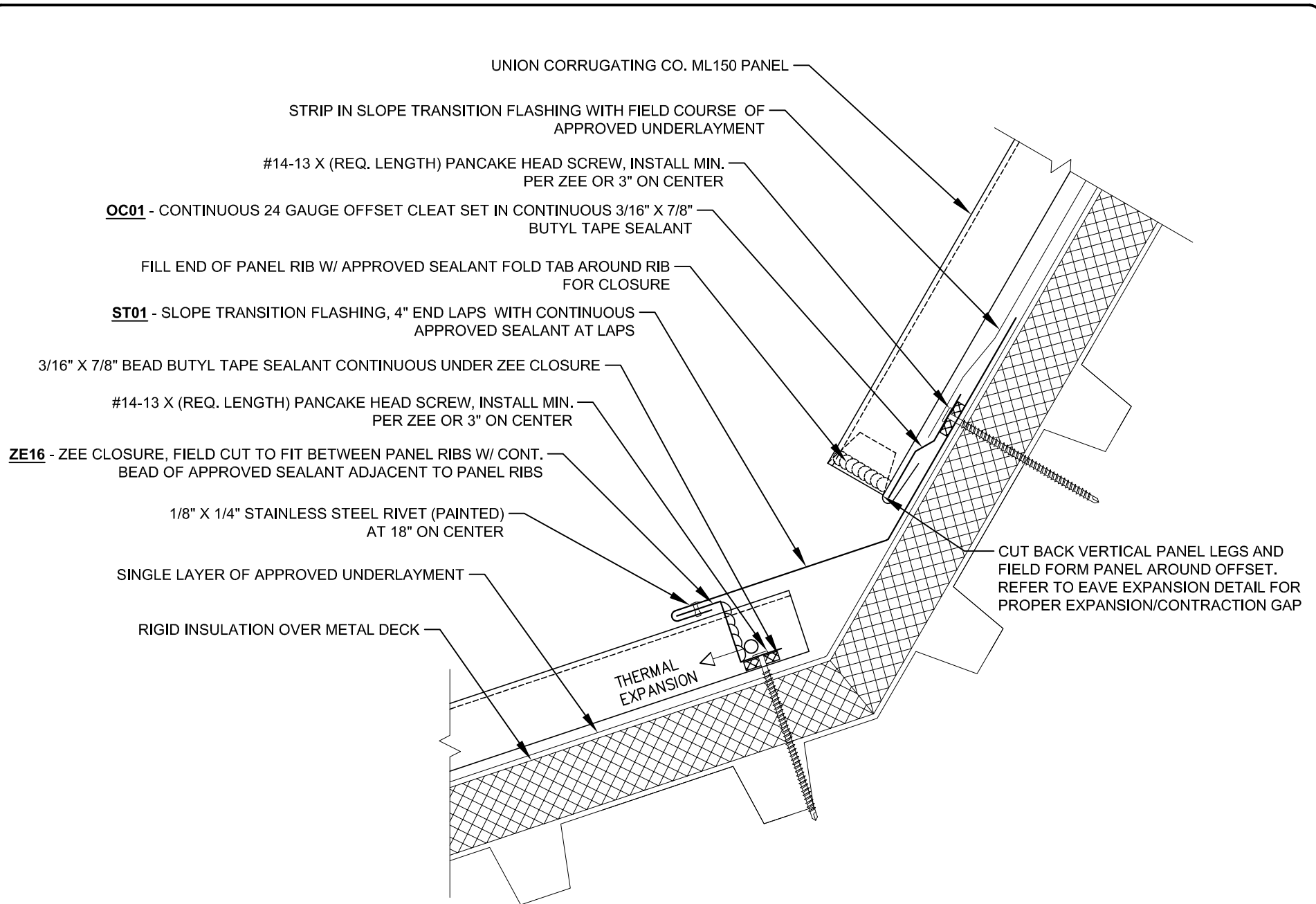
Detail No.:

ML150-7.90

Substrate:

Project Name:

Location:



Description:

SLOPE TRANSITION DETAIL

Detail No.:

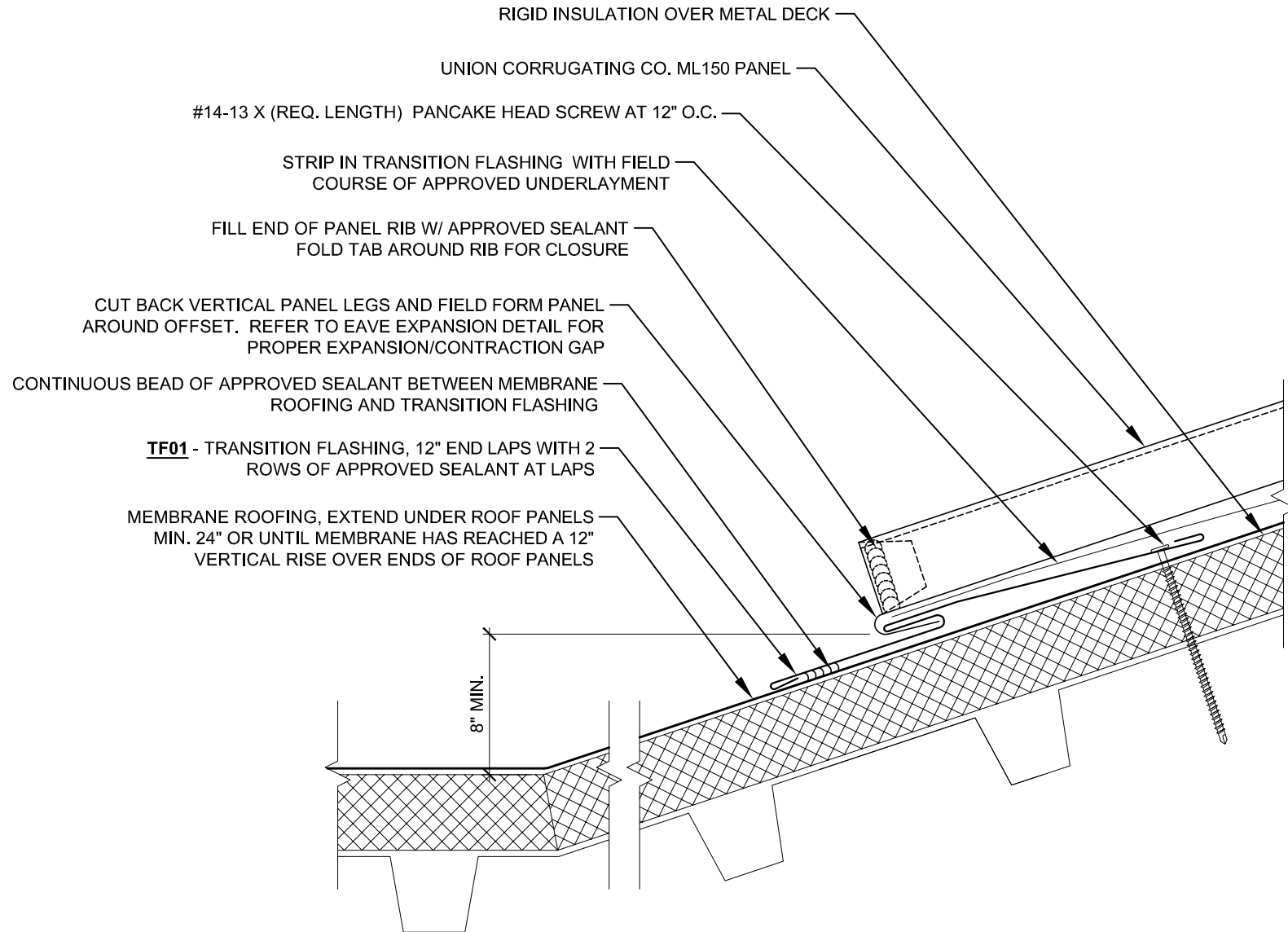
ML150-MD-8.10

Substrate:

RIGID INSULATION OVER METAL DECK

Project Name:

Location:



Description:

TRANSITION AT MEMBRANE ROOFING

Detail No.:

ML150-MD-8.20

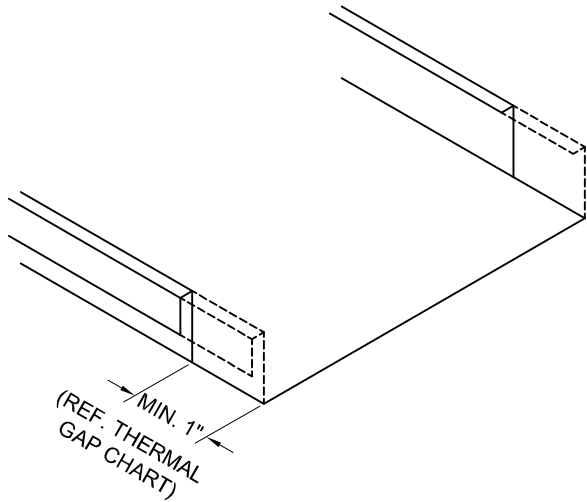
Substrate:

RIGID INSULATION OVER METAL DECK

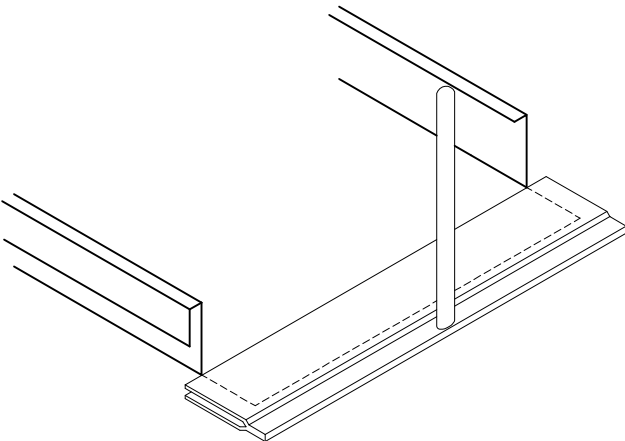
Project Name:

Location:

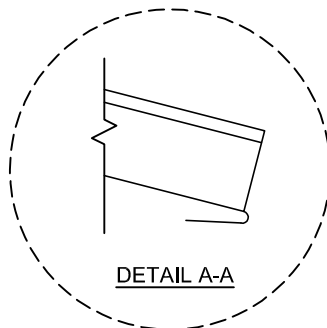
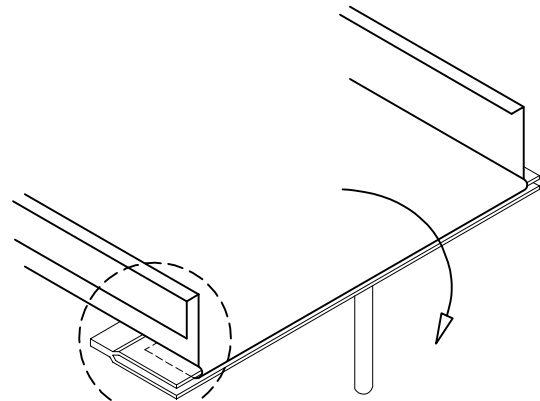
STEP 1: FIELD NOTCH RIBS AND REMOVE



STEP 2: ENGAGE PANEL HEMMING TOOL OVER FLAT PART OF PANEL TO ACCEPT OFFSET CLEAT



STEP 3: BEND TO FORM OPEN HEM



SEE DETAIL A-A



Description:

FIELD HEMMING PANEL END

Detail No.:

ML150-10.10

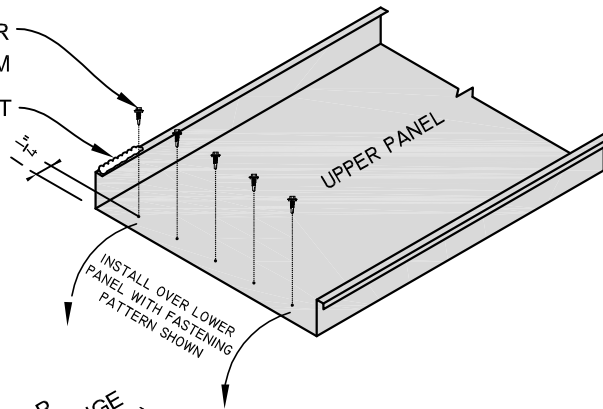
Substrate:

Project Name:

Location:

#14 x $\frac{7}{8}$ " HWH LAP TEK FASTENER W/ WASHER
ZINC CAPPED-(PAINTED) 3 $\frac{1}{4}$ " O.C. MINIMUM

ROW OF APPROVED TUBE SEALANT



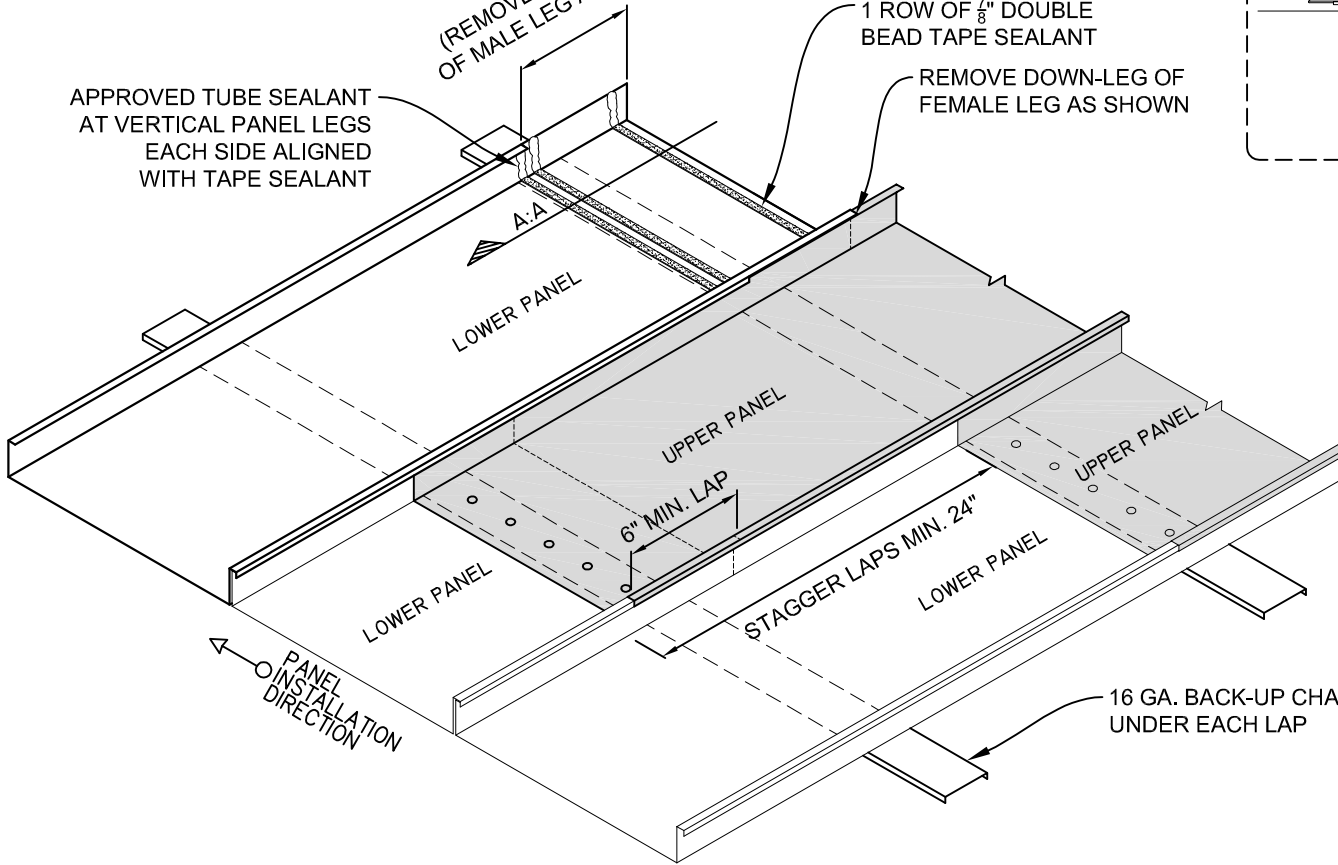
INSTALL OVER LOWER
PANEL WITH FASTENING
PATTERN SHOWN

6" MIN. LAP
(REMOVE TOP FLANGE
OF MALE LEG AS SHOWN)

APPROVED TUBE SEALANT
AT VERTICAL PANEL LEGS
EACH SIDE ALIGNED
WITH TAPE SEALANT

1 ROW OF $\frac{7}{8}$ " DOUBLE
BEAD TAPE SEALANT

REMOVE DOWN-LEG OF
FEMALE LEG AS SHOWN



LOWER PANEL

UPPER PANEL

LOWER PANEL

UPPER PANEL

UPPER PANEL

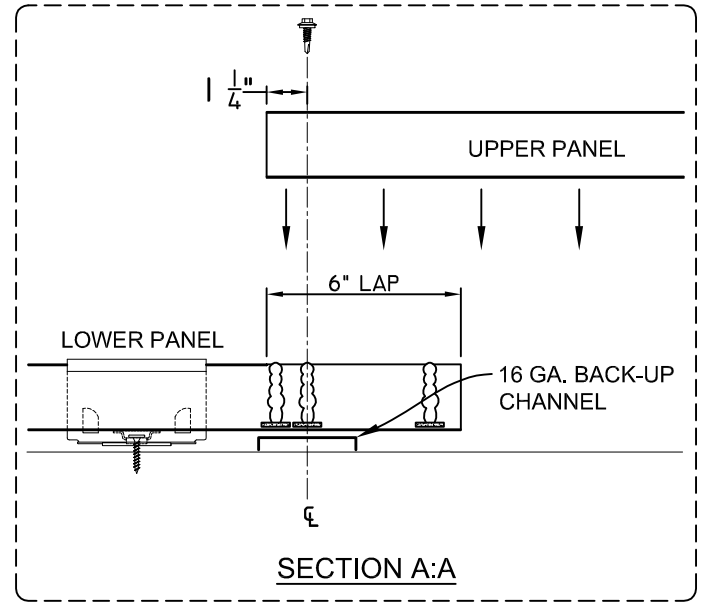
LOWER PANEL

6" MIN. LAP

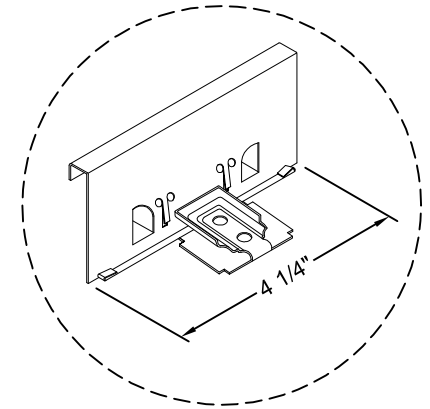
STAGGER LAPS MIN. 24"

16 GA. BACK-UP CHANNEL
UNDER EACH LAP

PANEL
INSTALLATION
DIRECTION



SECTION A:A



FOR USE WITH ML150
EXPANSION CLIP



Description: **PANEL LAP DETAIL - LOW SLOPE (LESS THAN 3:12)**

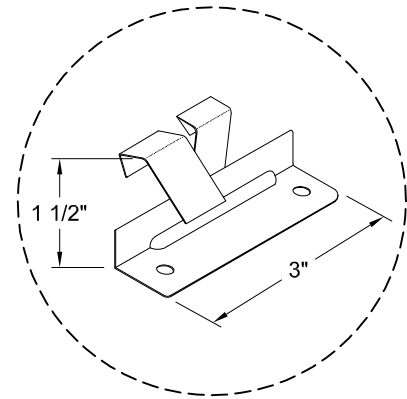
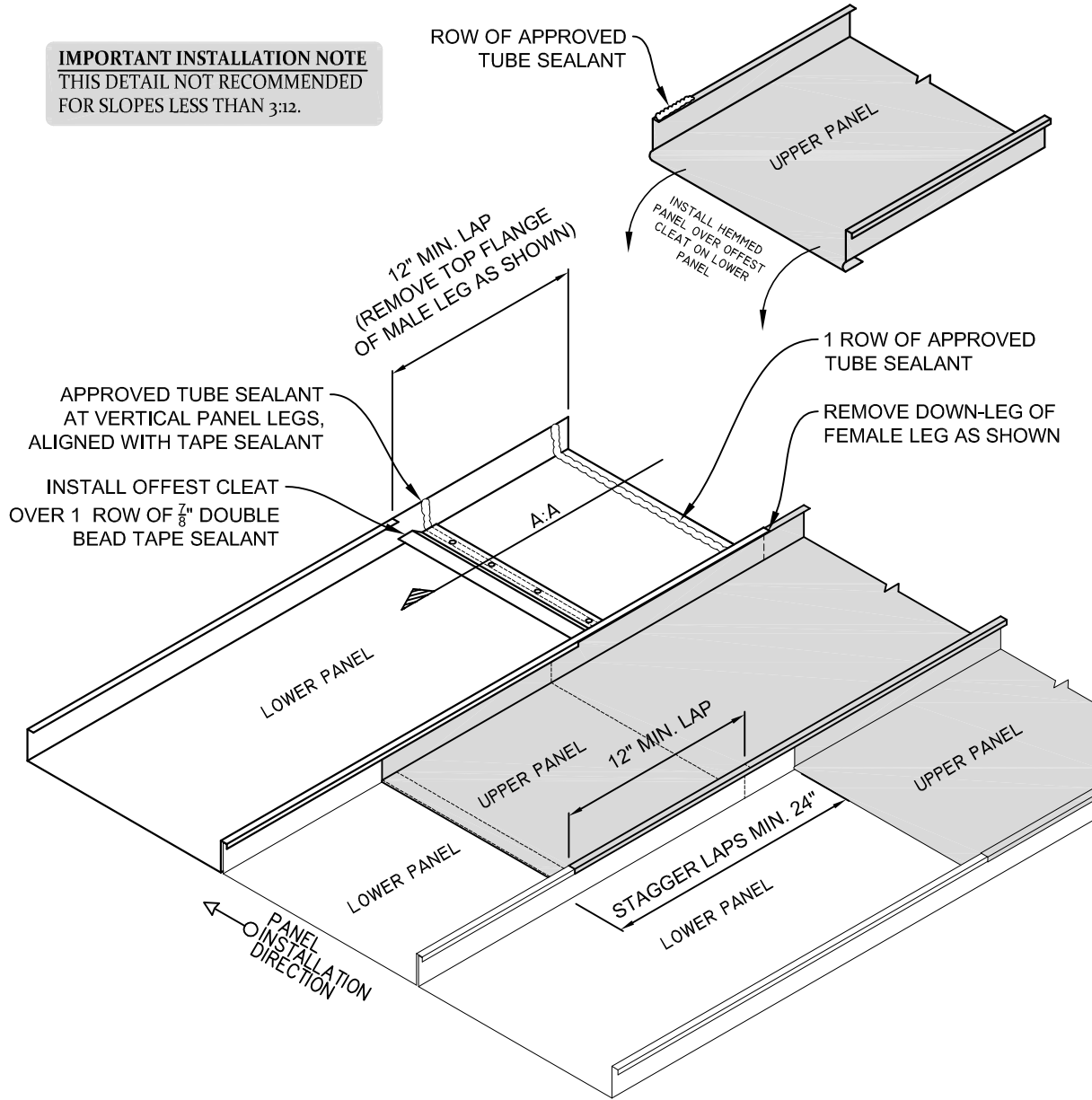
Detail No.: **ML150-LAP-10.14**

Substrate:

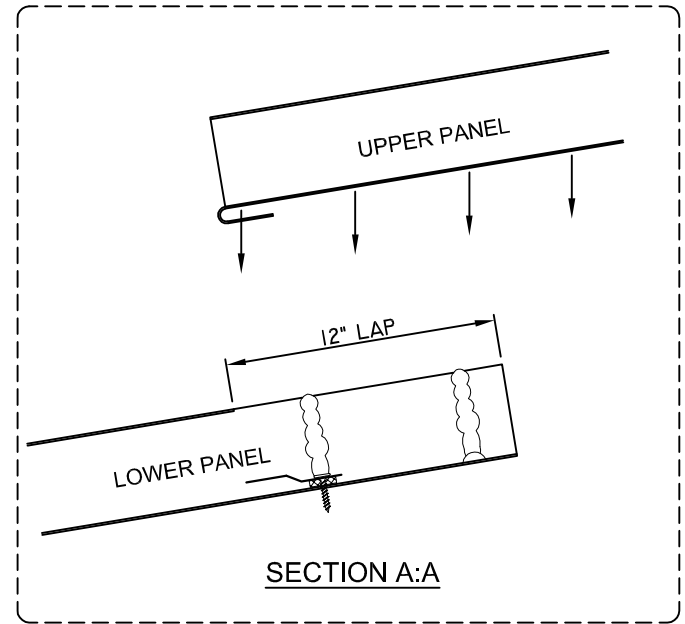
Project Name:

Location:

IMPORTANT INSTALLATION NOTE
 THIS DETAIL NOT RECOMMENDED
 FOR SLOPES LESS THAN 3:12.



FOR USE WITH ML150
 BUTTERFLY EXPANSION CLIP

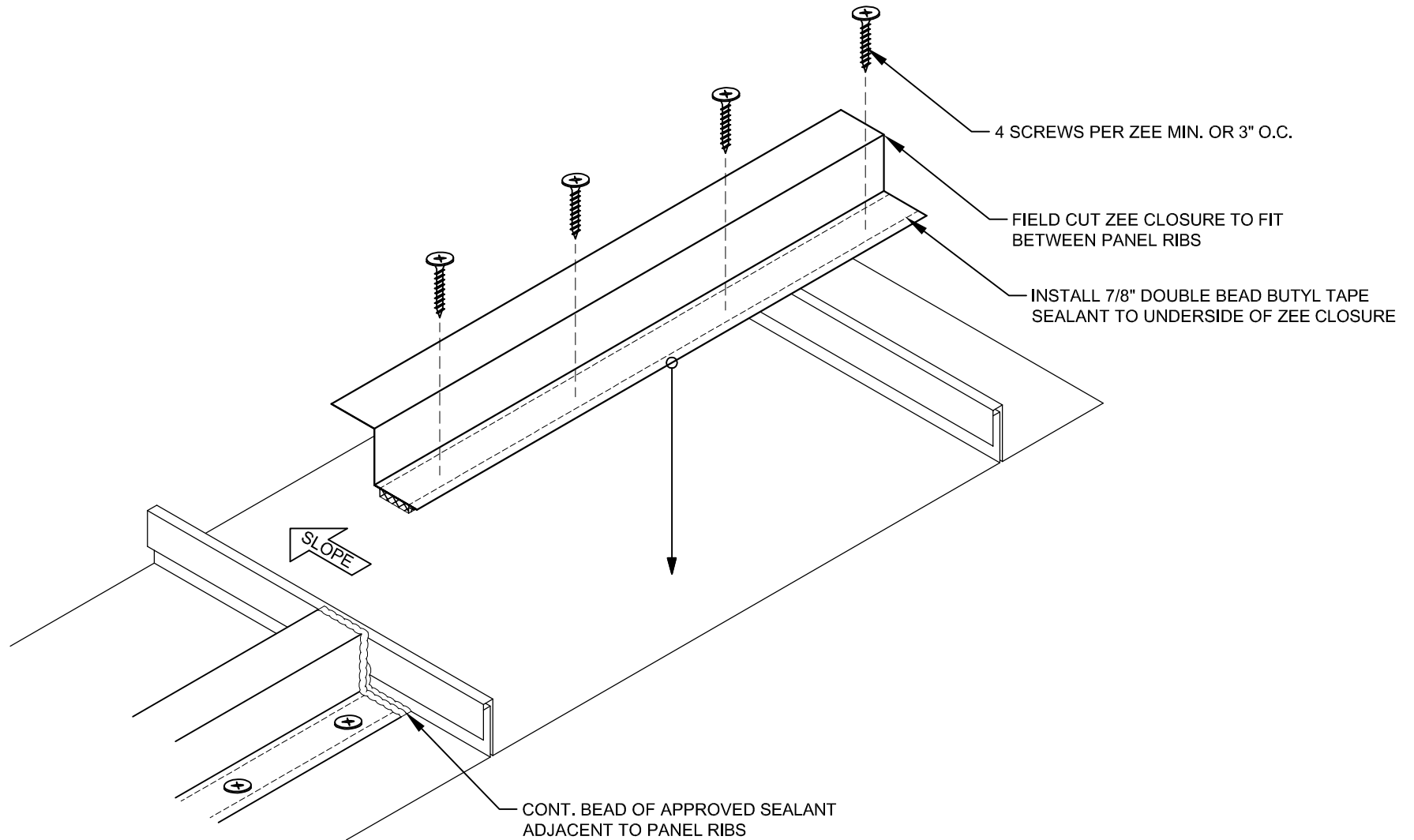


Description:
 Substrate:

PANEL LAP DETAIL - STEEP SLOPE

Detail No.:
 ML150-LAP-10.15

Project Name:
 Location:



Description:

ZEE CLOSURE INSTALLATION

Detail No.:

ML150-10.20

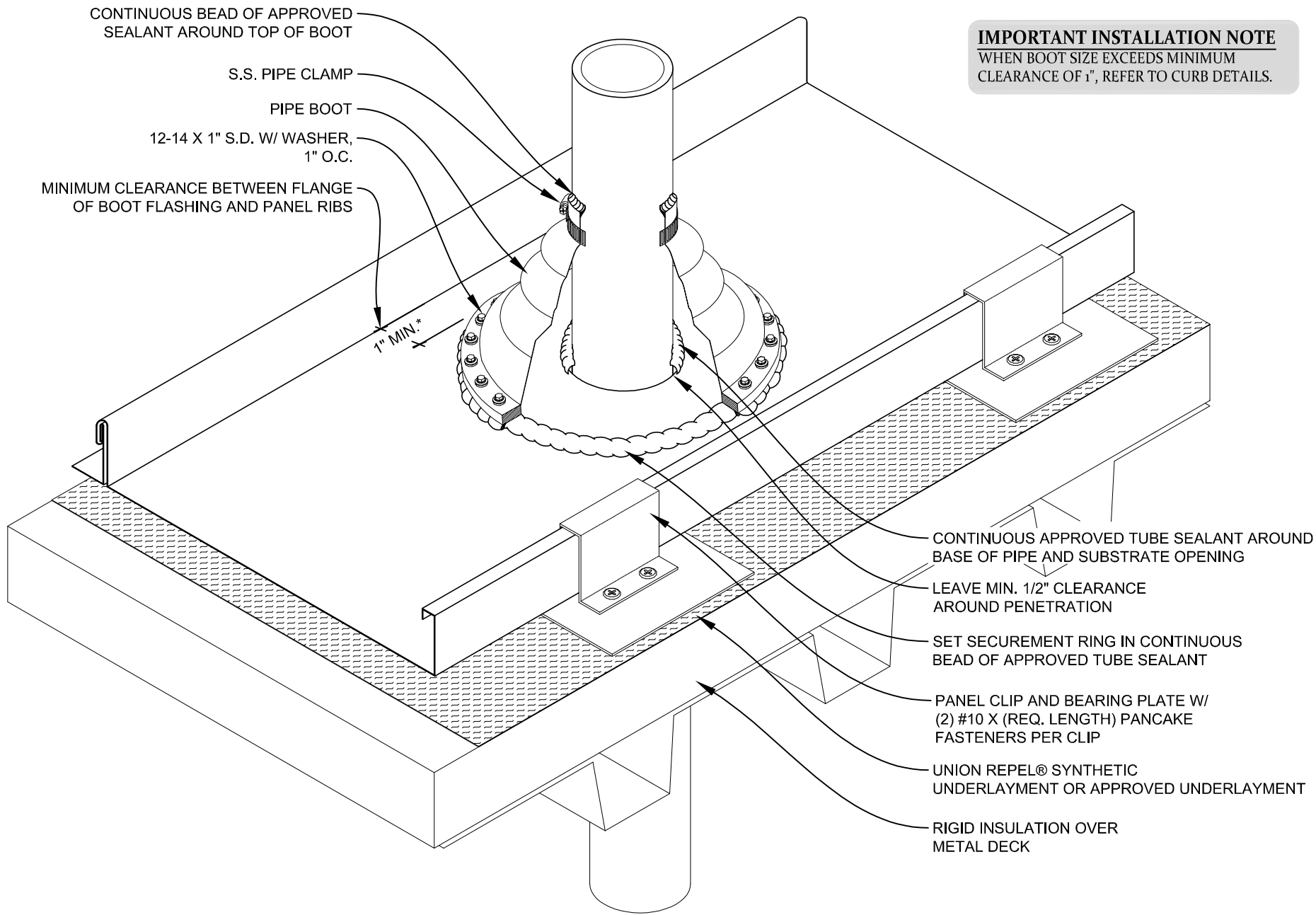
Substrate:

Project Name:

Location:

IMPORTANT INSTALLATION NOTE

WHEN BOOT SIZE EXCEEDS MINIMUM CLEARANCE OF 1", REFER TO CURB DETAILS.



Description: **PIPE PENETRATION**

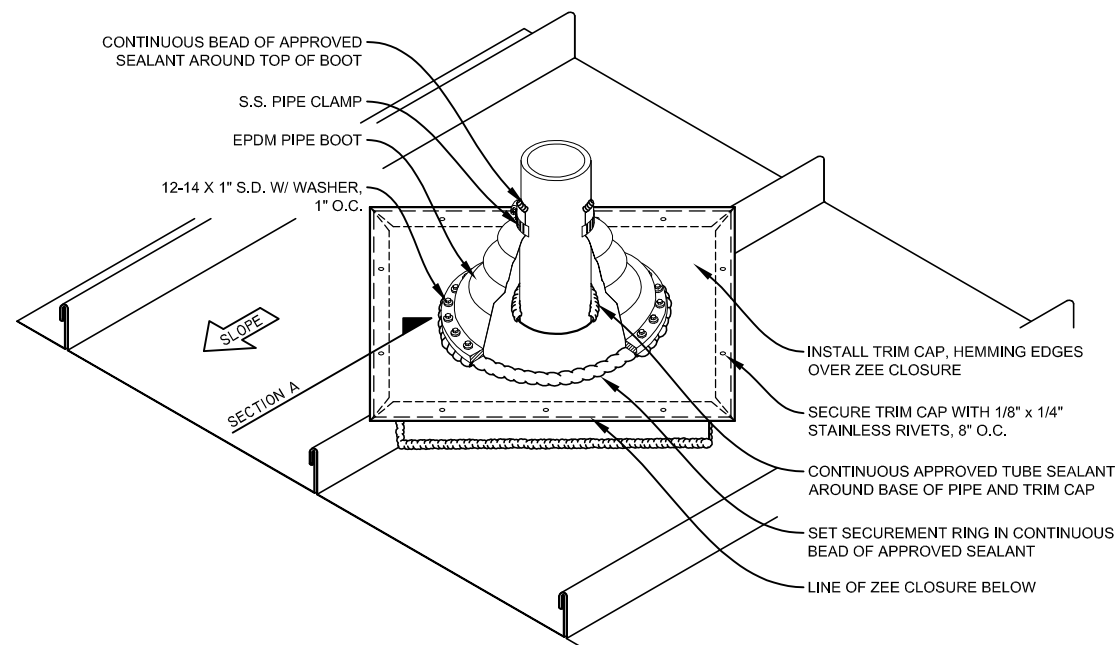
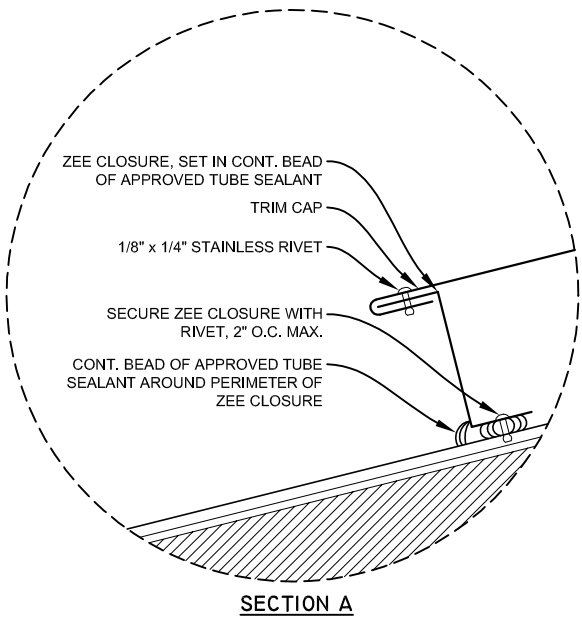
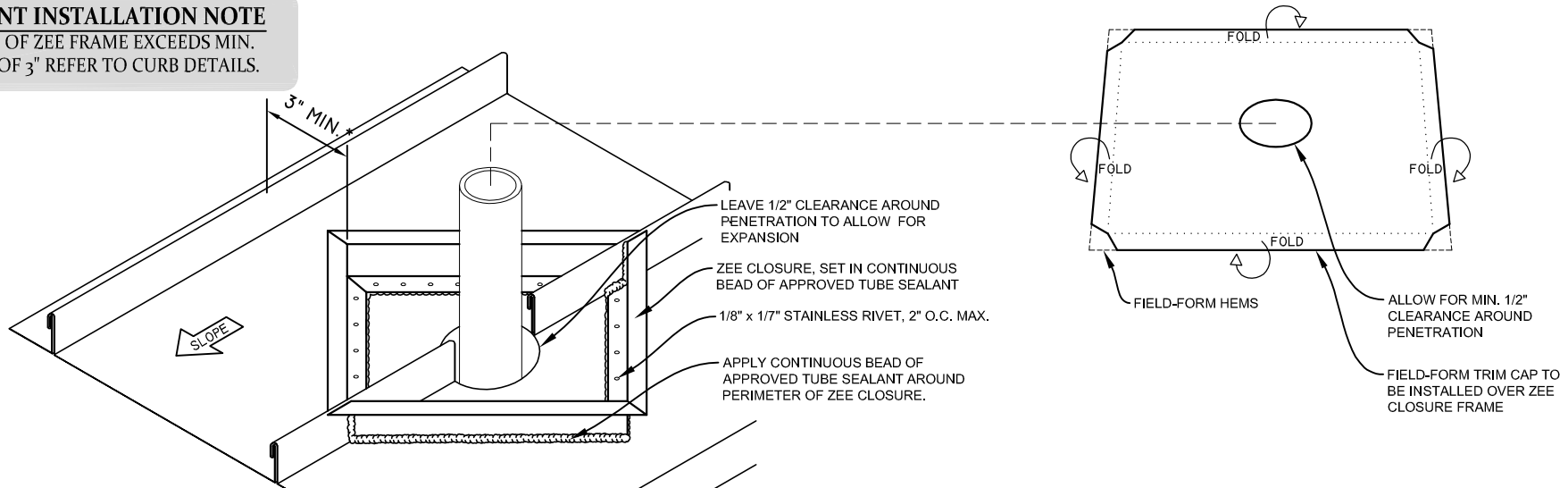
Substrate: **RIGID INSULATION OVER METAL DECK**

Detail No.: **ML150-MD-10.30**

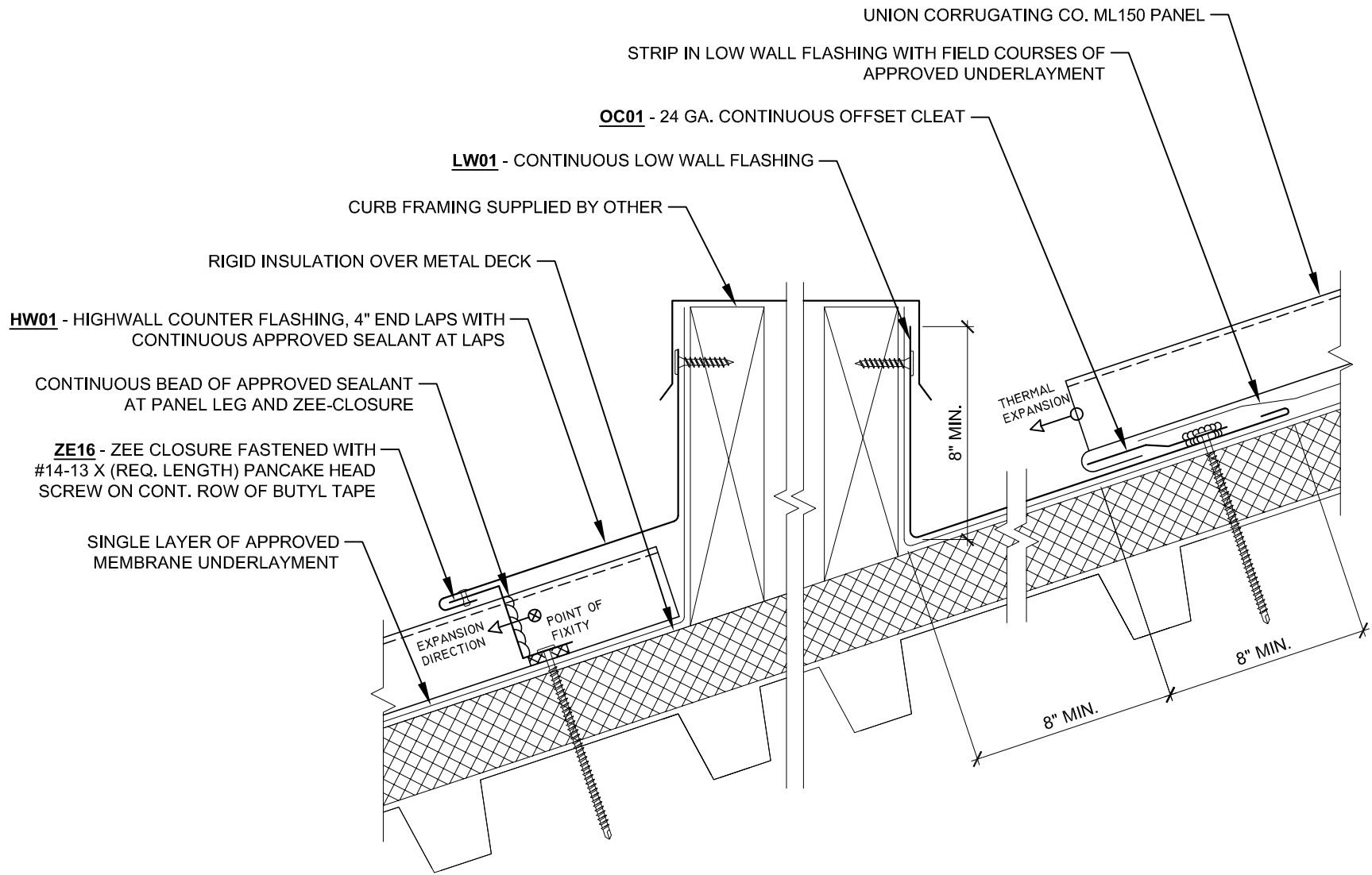
Project Name:
Location:

IMPORTANT INSTALLATION NOTE

*WHEN BASE OF ZEE FRAME EXCEEDS MIN. CLEARANCE OF 3" REFER TO CURB DETAILS.



Description:	PIPE PENETRATION THROUGH PANEL RIB		Detail No.: ML150-10.31
	Substrate:	Project Name:	



Description: **LOW WALL & HIGHWALL @ SQUARE PENETRATION**
 Substrate: **RIGID INSULATION OVER METAL DECK**

Detail No.: **ML150-MD-10.40**

Project Name:
 Location:

SW02 - SIDEWALL COUNTER FLASHING, 4" END LAPS
WITH CONTINUOUS APPROVED SEALANT AT LAPS

PANEL LEG OR FIELD FORM PANEL LEG (MIN. 1-1/4")

ZE16- ZEE CLOSURE FASTENED WITH #14-13 X
(REQ. LENGTH) PANCAKE HEAD SCREW

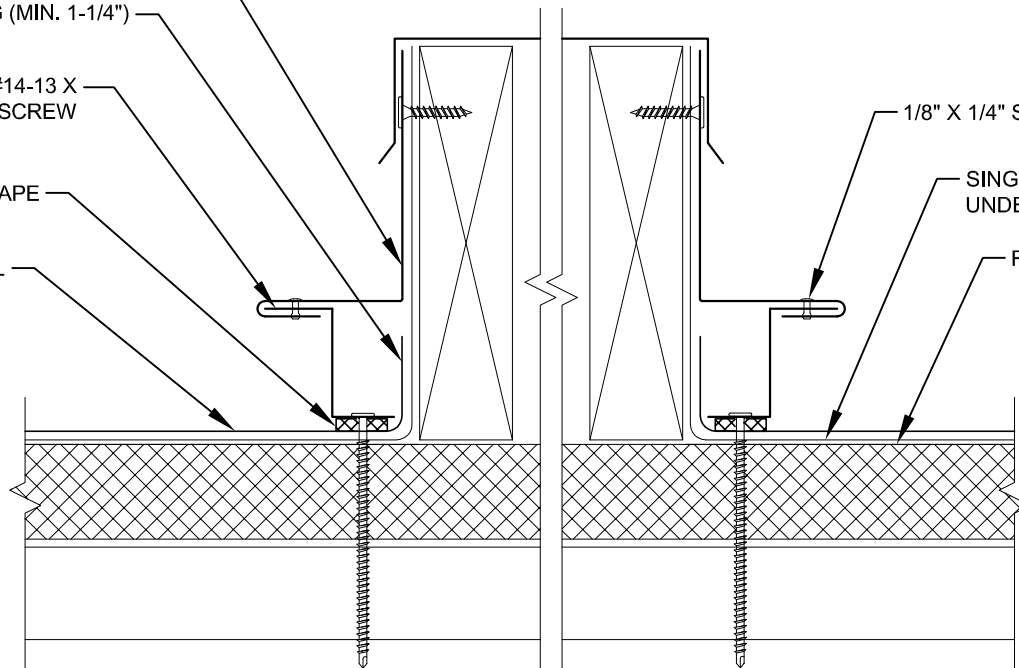
CONTINUOUS ROW OF BUTYL TAPE

UNION CORRUGATING CO. PANEL

1/8" X 1/4" STAINLESS STEEL RIVET

SINGLE LAYER OF APPROVED
UNDERLAYMENT

RIGID INSULATION OVER METAL DECK



Description:

SIDEWALL @ SQUARE PENETRATION

Detail No.:

ML150-MD-10.41

Substrate:

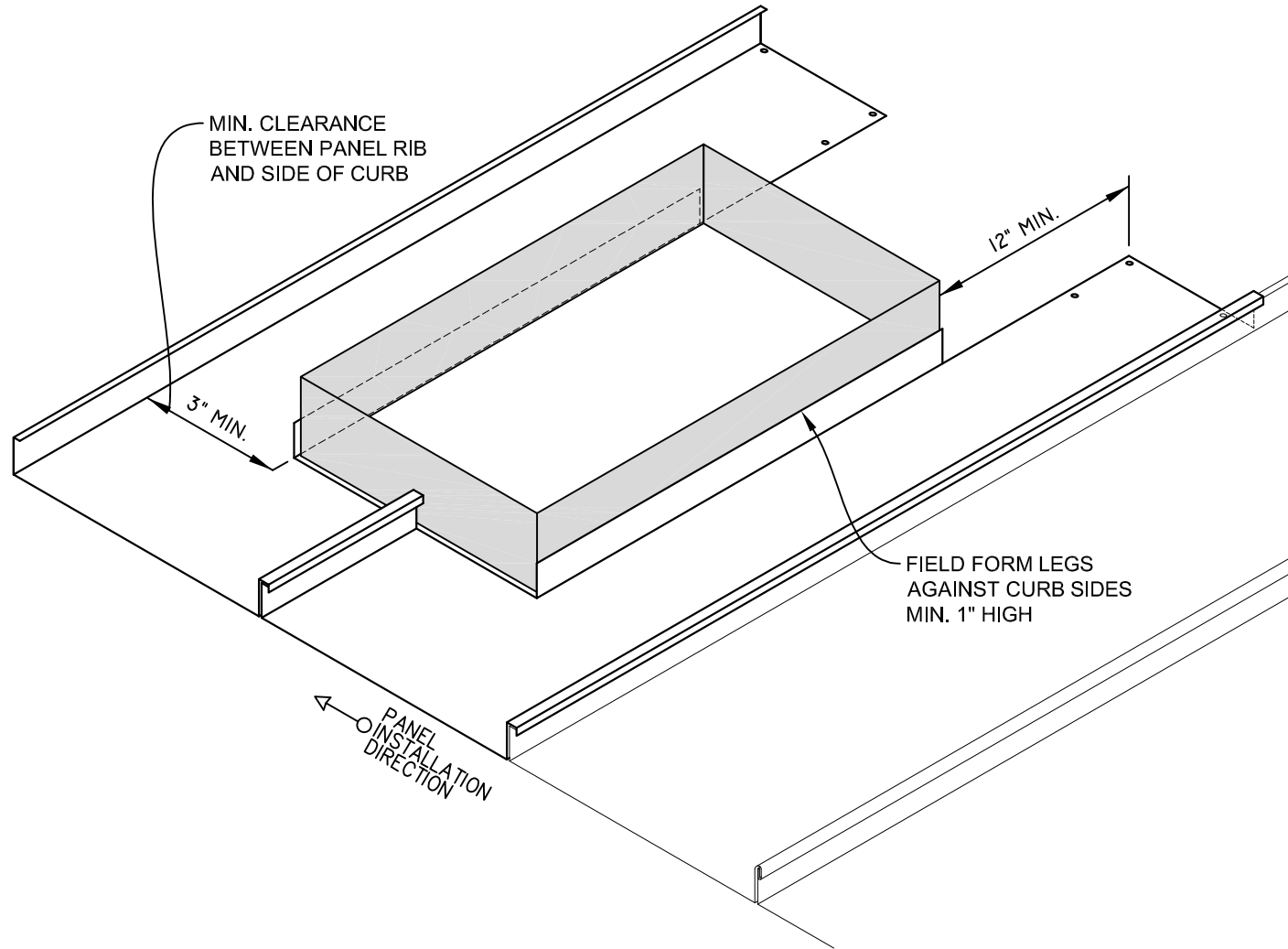
RIGID INSULATION OVER METAL DECK

Project Name:

Location:

STEP 1

INSTALL PANELS
AROUND CURB



Description:

ML150 CURB DETAILS - STEP 1

Detail No.:

ML150-CRB: 1 of 6

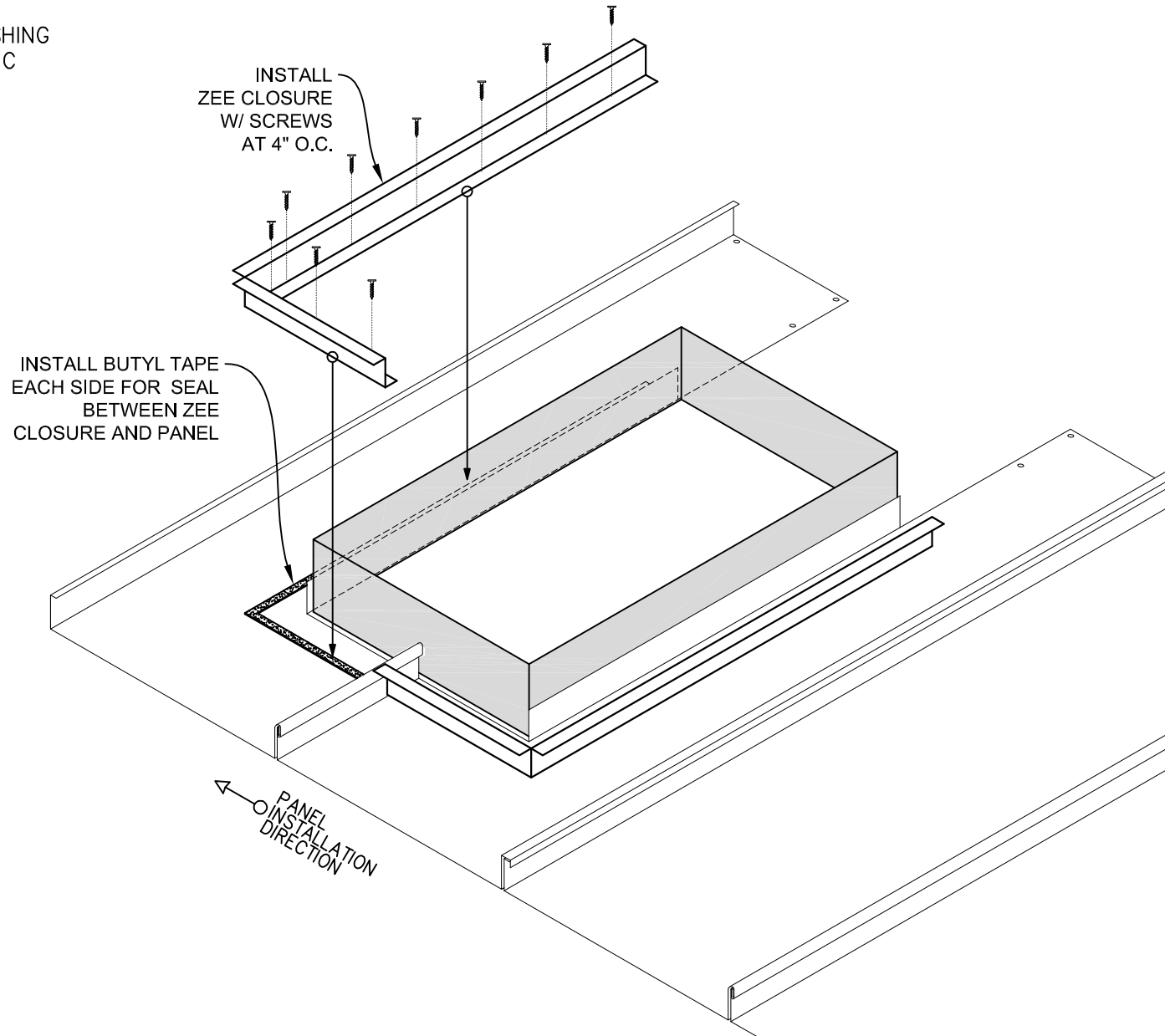
Substrate:

Project Name:

Location:

STEP 2

APPLY ZEE CLOSURE FLASHING
OVER DOUBLE BEAD MASTIC



Description:

ML150 CURB DETAILS - STEP 2

Detail No.:

ML150-CRB: 2 of 6

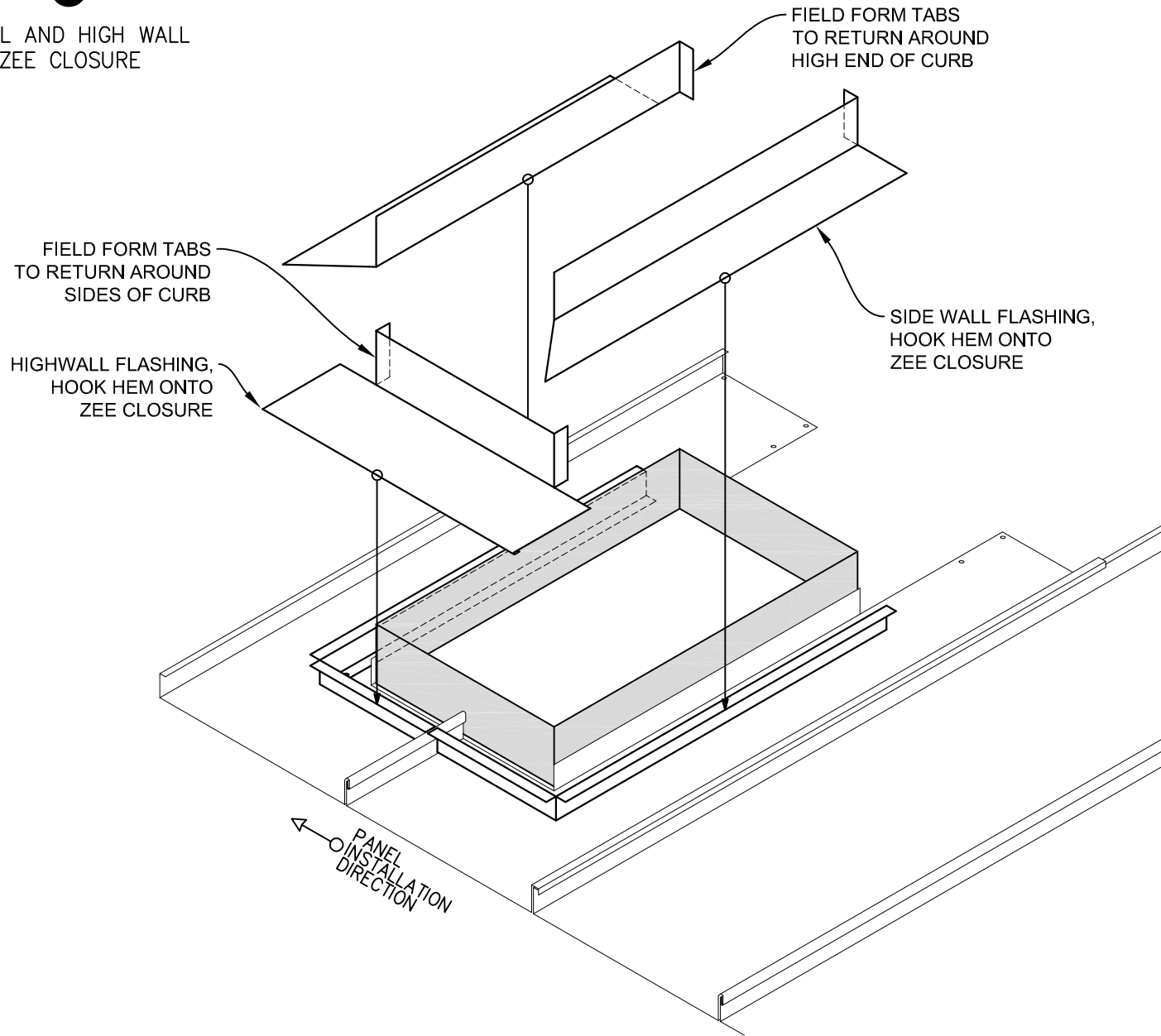
Substrate:

Project Name:

Location:

STEP 3

INSTALL SIDE WALL AND HIGH WALL FLASHINGS ATOP ZEE CLOSURE



Description:

ML150 CURB DETAILS - STEP 3

Detail No.:

ML150-CRB: 3 of 6

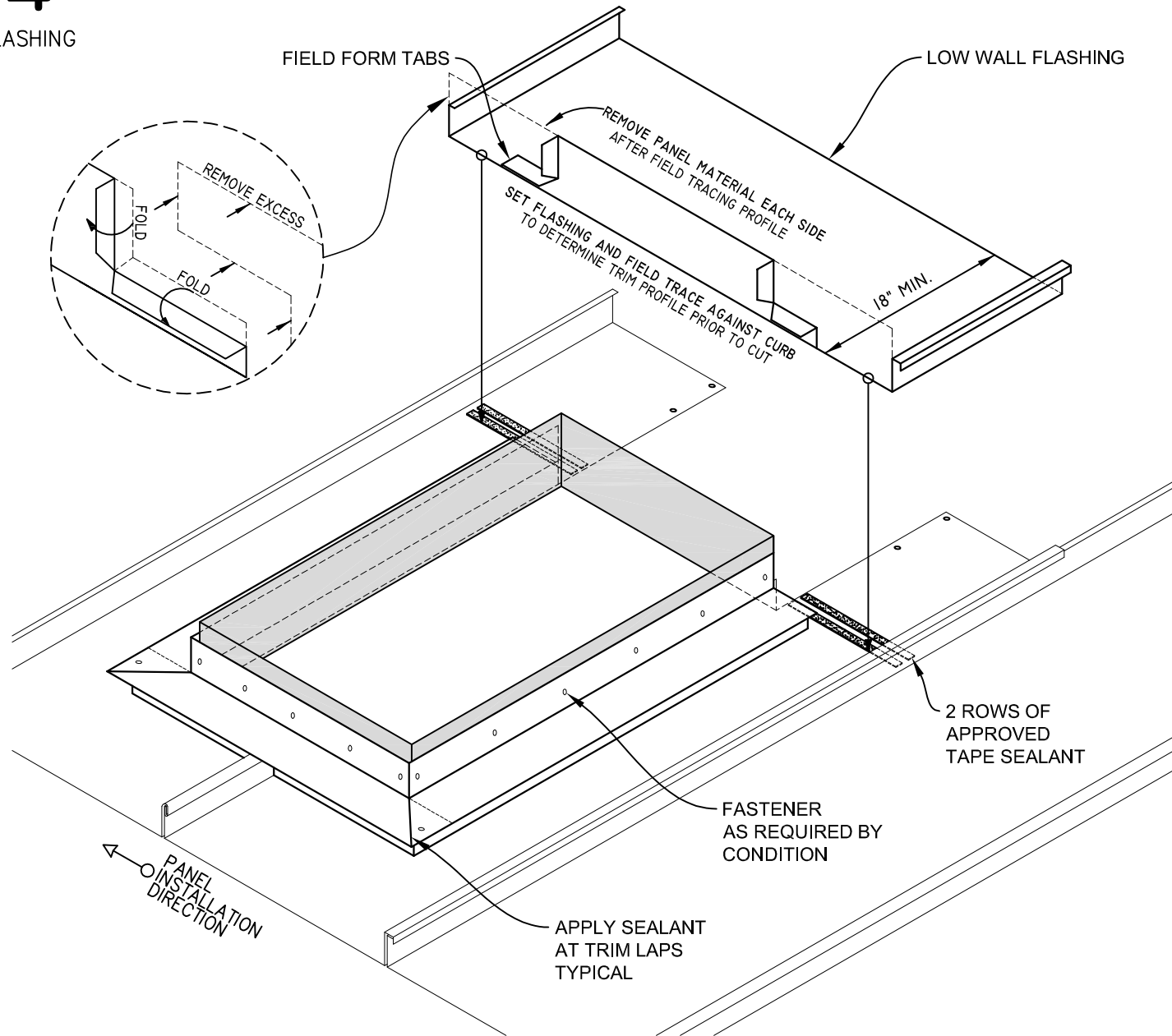
Substrate:

Project Name:

Location:

STEP 4

INSTALL LOW WALL FLASHING



Description:

ML150 CURB DETAILS - STEP 4

Detail No.:

ML150-CRB: 4 of 6

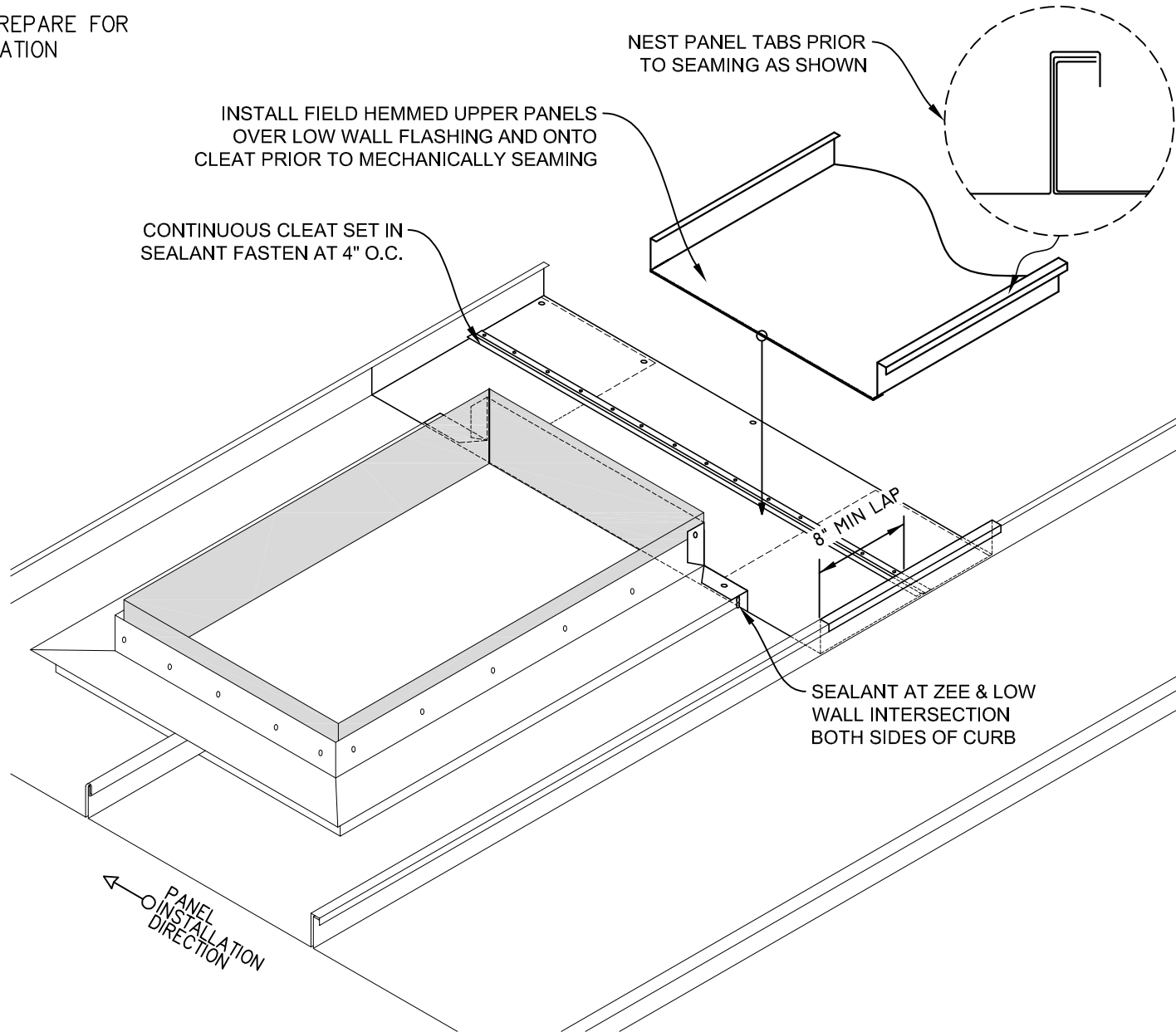
Substrate:

Project Name:

Location:

STEP 5

INSTALL CLEAT AND PREPARE FOR UPPER PANEL INSTALLATION



Description:

ML150 CURB DETAILS - STEP 5

Detail No.:

ML150-CRB: 5 of 6

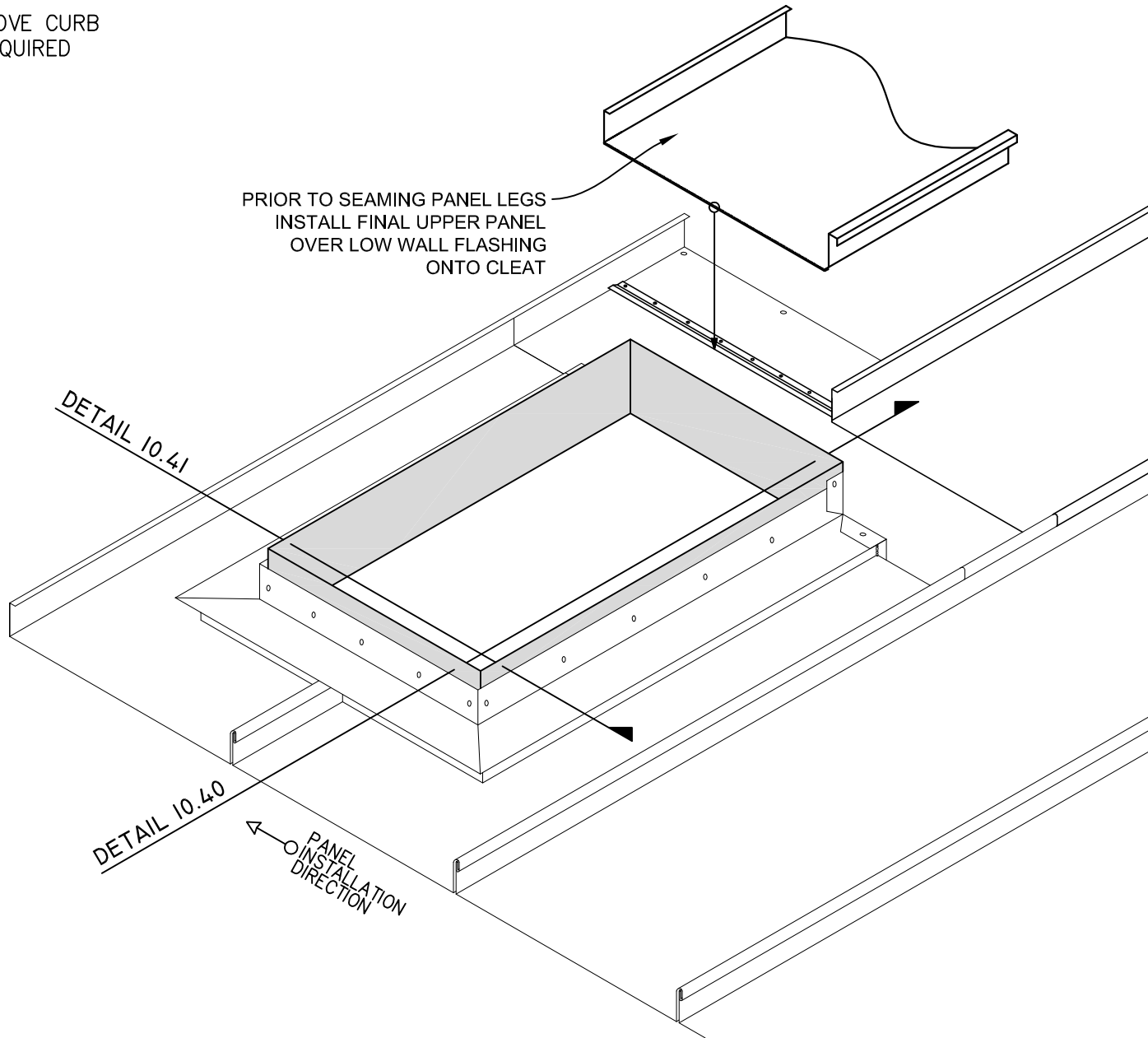
Substrate:

Project Name:

Location:

STEP 6

INSTALL FINAL PANEL ABOVE CURB
SEAL AND FASTEN AS REQUIRED



Description:

ML150 CURB DETAILS - STEP 6

Detail No.:

ML150-CRB: 6 of 6

Substrate:

Project Name:

Location: